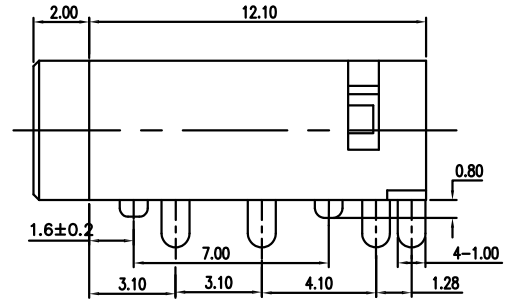
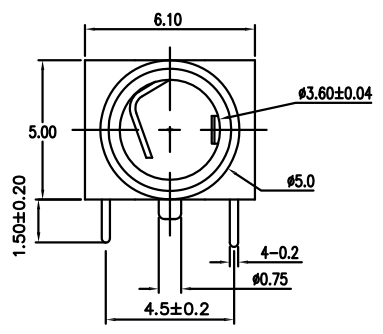


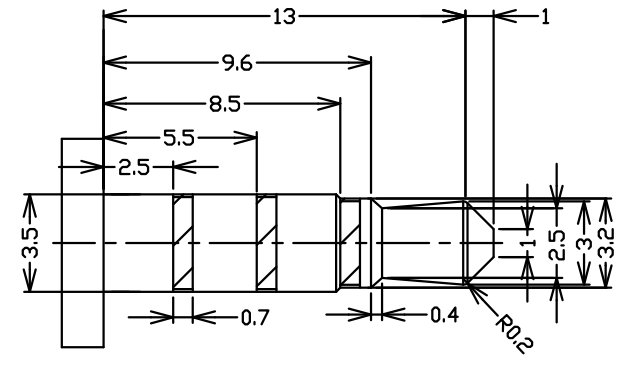
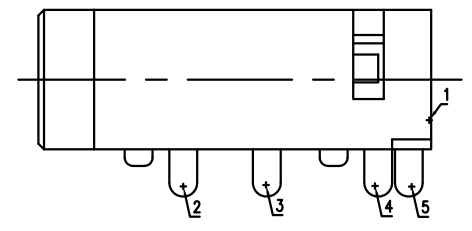
REV.	ECN.NO.	APPD.
B	变更胶芯材质	ZFY
C	更改定位柱尺寸	weihong
D	产品改善	weihong



- CURRENT RATING : 1.0 AMP. MAX.
- DIELECTRIC WITHSTANDING : AC 500V/min R.M.S.
- INSULATION RESISTANCE : 100MΩ min. AT 100V DC.
- CONTACT RESISTANCE : 50mΩ MAX.
- OPERATING TEMPERATURE : -25°C TO +85°C.
- DURABILITY : 1500 CYCLES.
- MATING FORCE : 3kgs MAX
- UNMATING FORCE : 0.3~3.0kgs
- MAX PROCESSING TEMPERATURE : 60 SECONDS IN 230°C AND 10 SECONDS IN 260°C

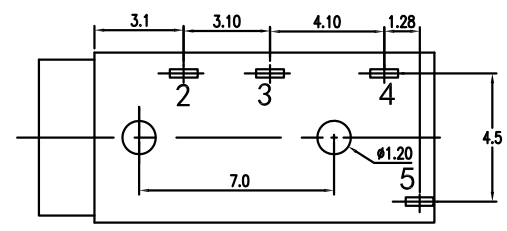
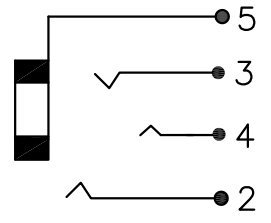
JK1-130-C921

- C: 镀锡
- 2: 黑色
- 9: PA9T



CIRCUIT DIAGRAM

P. C. B LAYOUT TOP VIEW



TOLERANCE UNLESS OTHERWISE SPECIFIED		FLW 深圳市华联威电子科技有限公司			
.XXX ±0.10	.X' ±3'	HUA LIAN WEI TECHNOLOGY ELECTRONICS CO.,LTD.			
.XX ±0.20	.XX' ±2'				
.X ±0.30					
APPROVED		PART NAME:	耳机 JACK		
CHECKED		PART No:	JK1-130-C921	C	
DRAWN	weihong	PROJECTION:	UNIT:	SCALE	SHEET
DATE	2023.03.20		mm	1:1	10F1
					REV. D