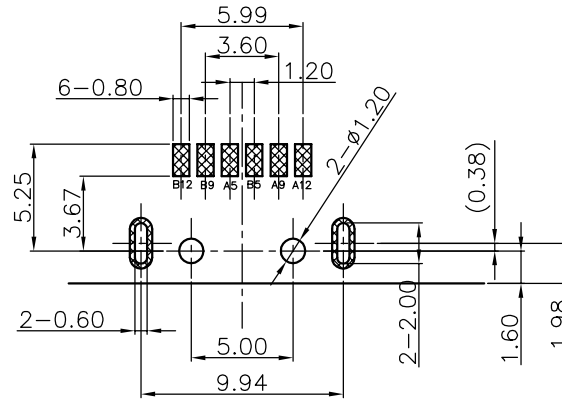
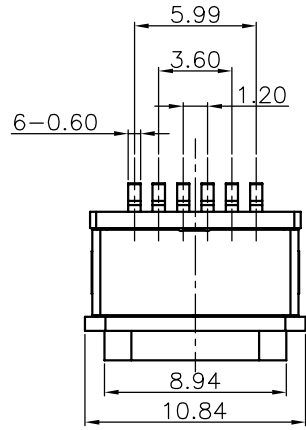
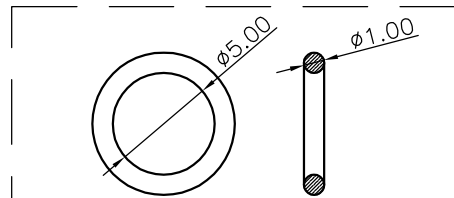
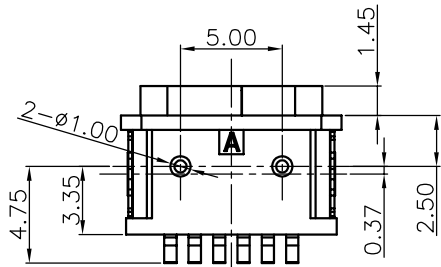
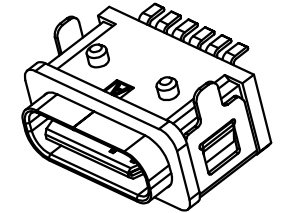
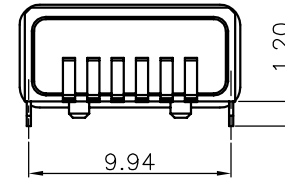
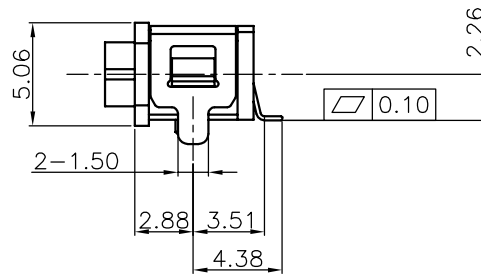
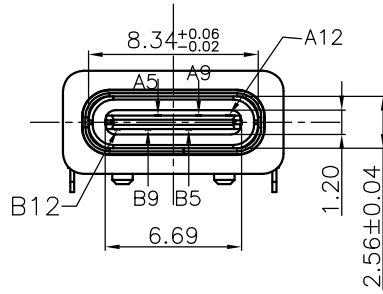


REV.	ECN.NO.	APPD.
A	/	/



Recommended P.C.B. Layout
Unspecified tolerance: ±0.05
(Top view)



注: 防水圈是圆形截面, 直径为1.0mm的硅胶圈, 防水圈挤压量, 由1.0mm挤压到0.5mm ~ 0.6mm, 防水效果好

U573-061B-XXX0X8

- G: 半金G/F
- 1: 半金1u"
- 3: 半金3u"
- 5: 半金5u"
- 8: 半金15u"
- 9: 镀全金1u"
- 1: PA66
- 2: PBT
- 6: LCP
- 1: 吸塑盒
- 3: 载带冷封
- 8: 载带热封
- 1: 黑色
- 2: 白色
- 3: 米黄色
- E: 蓝色300C-3
- 7: 蓝色300C

A5	CC1	B12	GND
A9	VBUS	B9	VBUS
A12	GND	B5	CC2
PIN	SIGNAL NAME	PIN	SIGNAL NAME

5	Shell2	1	SUS301 Ni Plating T=0.20mm	Ni:40~120u";
4	Shell1	1	SUS301 Ni Plating T=0.25mm	Ni:40~120u";
3	Housing2	1	PA10T(G.F30%)	
2	Contact	5	Phosphor bronze_C5210R-EH Au/Ni Plating T=0.20mm	Ni:40~160u"; Au:CONTACT AREA:1u", OTHER AREA:G/F
1	Housing	1	PA10T (G.F30%)	
ITEM	PART NAME	Q' TY	FINISH	NOTE

TOLERANCE UNLESS OTHERWISE SPECIFIED	
.XXX ±0.10	.X' ±3'
.XX ±0.20	.XX' ±2'
.X ±0.30	

FLW 深圳市华联威电子科技有限公司
HUA LIAN WEI TECHNOLOGY ELECTRONICS CO;LTD.

APPROVED	PART NAME:	TYPE C 6P SMT			
CHECKED	PART No:	U573-061B-X61018			C
DRAWN	PROJECTION:	UNIT:	SCALE:	SHEET:	REV.
DATE		mm	1:1	10F1	A