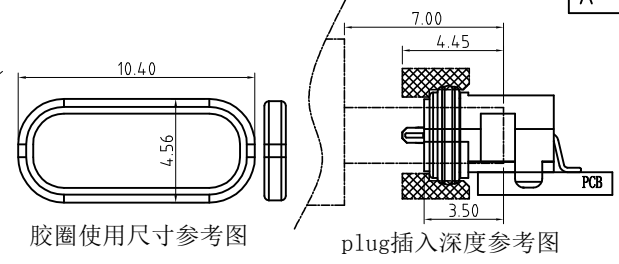
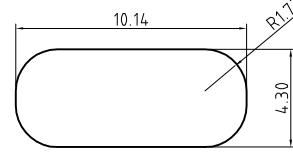
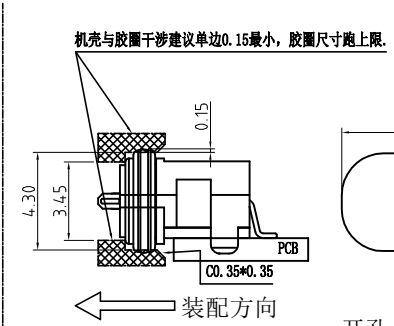
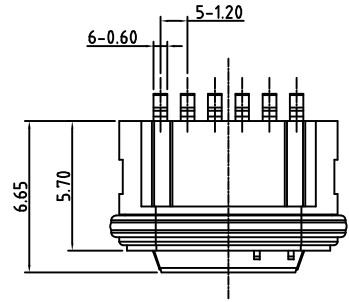


CAD GENERATED DRAWING. DON'T CHANGE BY HAND.

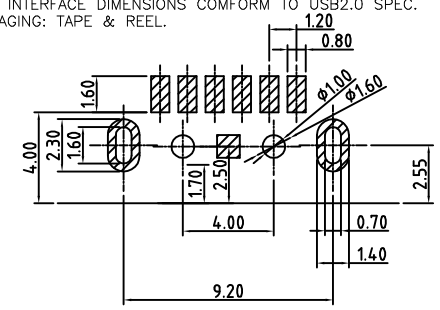
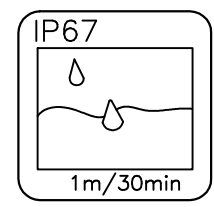
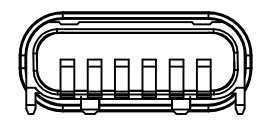
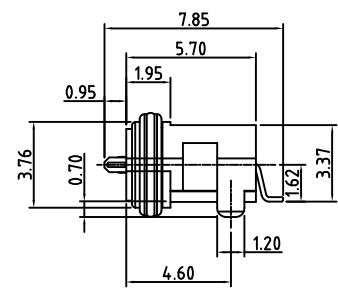
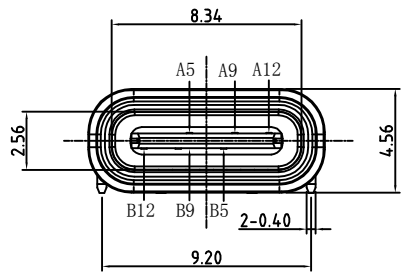
REV.	ECN.NO.	APPD.
A	/	ZFY



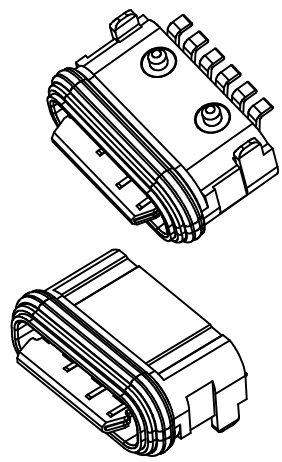
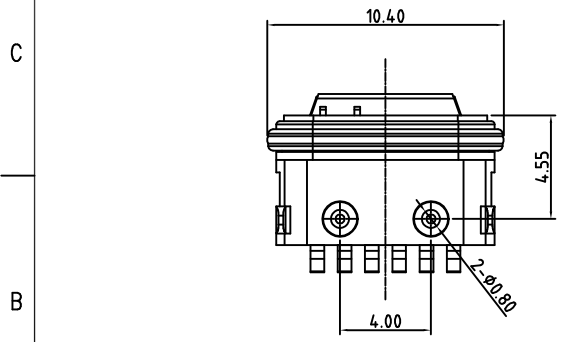
← 装配方向  
**组装示意图**

开孔尺寸参考  
组装外壳时需要打环保润滑油

- SPECIFICATIONS:
- ELECTRICAL CHARACTERISTICS:
    - RATING: 3A;
    - CONTACT RESISTANCE: 30 mΩ MAX.(INITIAL);
    - DIELECTRIC WITHSTANDING: 100V AC MIN.;
    - INSULATION RESISTANCE: 100MΩ MIN.;
  - DURABILITY: 5,000 CYCLES MIN.;
  - INSERTION FORCE: 5-20N;
  - EXTRACTION FORCE: 6-20N;
  - WATER PROOFNESS: THIS PRODUCT IS BASED ON IPX7.
  - PLUG INTERFACE DIMENSIONS COMFORM TO USB2.0 SPEC.
  - PACKAGING: TAPE & REEL.



RECOMMENDED P. C. B LAYOUT  
TOP VIEW (TOLRANCE: ± 0.05)



- U573-417X-XXX0X8
- 1: 铁壳镀镍
  - 5: 铜壳镀镍
  - B: 不锈钢镀镍
  - G: 半金G/Fu"
  - 3: 半金3u"
  - 9: 镀全金1u"
  - 1: 黑色
  - 2: 白色
  - 1: PA46
  - 2: PBT
  - 6: LCP
  - 1: 盘装
  - 3: 载带

A5	CC1	B12	GND
A9	VBUS	B9	VBUS
A12	GND	B5	CC2
PIN	SIGNAL NAME	PIN	SIGNAL NAME

3	Shell	1	Ni Plating	
2	Contact	6	Phosphor bronze Au/Ni Plating T=0.20mm	
1	Housing	1	PA10T (G.F30%)	
ITEM	PART NAME	Q' TY	FINISH	NOTE

TOLERANCE UNLESS OTHERWISE SPECIFIED	
.XXX ±0.15	.X' ±5°
.XX ±0.20	.XX' ±2°
.X ±0.30	

**FLW** 深圳市华联威电子科技有限公司  
HUA LIAN WEI TECHNOLOGY ELECTRONICS CO;LTD.

APPROVED		PART NAME:	USB TYPE C 6PIN板上全贴片			
CHECKED		PART No:	U573-417X-XXX0X8		C	
DRAWN	ZhangFenYan	PROJECTION:	UNIT:	SCALE:	SHEET:	REV.
DATE	2018.10.10		mm	1:1	10F1	A