

REV.	ECN.NO.	APPD.
A	/	LXQ

NOTES:

1.MATERIAL:

- 1.1 Housing: thermoplastic plastics,
- 1.2 terminals:Copper Alloy
Gold plated overall
- 1.3 Shell:Steel&Copper Alloy
Nickel/Tin Plated overall

2.ELECTRICAL CHARACTERISTICS:

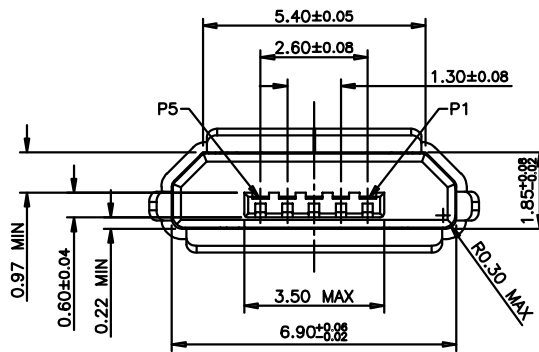
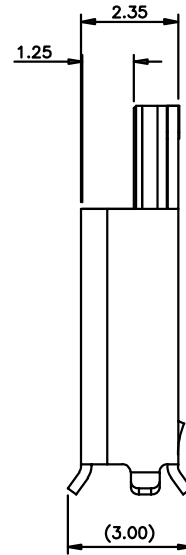
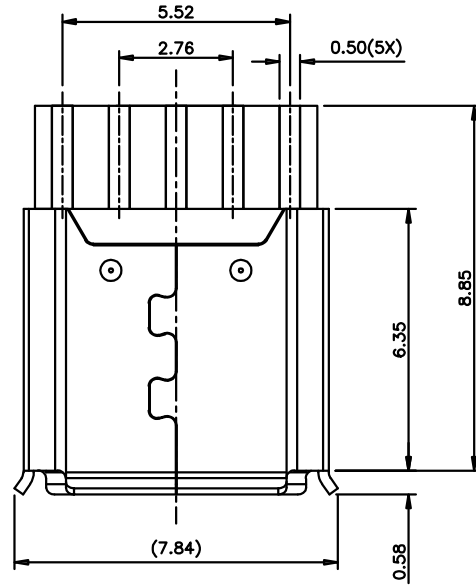
- 2.1 Rating Current :1.5 Ampere
- 2.2 Rating Voltage :30 V Max
- 2.3 Contact Resistance:50 Milli ohms
- 2.4 Insulation Resistance:100 Mega ohms Min.

3.MECHANICAL CHARACTERISTICS:

- 3.1 Connector Mating force: 35N MAX
- 3.2 Connector Unmating force:7N min

4.ENVIRONMENT CHARACTERISTICS:

- 4.1 Operating temperature:-0°C to +50°C
- 4.2 Storage temperature:-20°C to +60°C



Pin Number	Signal Name
1	VBUS
2	D-
3	D+
4	ID
5	GND

MATTER	RoHs (PPM)
Cd	≤ 100
Pb	≤ 1000
Hg	≤ 1000
Cr6+	≤ 1000
PBB	≤ 1000
PBDE	≤ 1000

U442-9021-G61078
 1:铁壳镀镍
 7:袋装
 1:黑色
 G:半金G/Fu"
 6:LCP

ITEM	PART NAME	Q'TY	MATERTAL	DESCRIPTION	REMARK
01	HOUSING	1 PCS	HIGHT TEMPERATURE PLASTIC	BLACK COLOR	UL94V-0
02	CONTACT A	1 PCS	BRASS 0.20T	AU PLATED	
03	SHELL	1 PCS	STAINLESS STEEL 0.25T	NI PLATED	

TOLERANCE UNLESS OTHERWISE SPECIFIED		FLW 深圳市华联威电子科技有限公司 HUA LIAN WEI TECHNOLOGY ELECTRONICS CO;LTD.					
.XXX ±0.10	.X' ±3'	APPROVED: _____ PART NAME: MICRO USB 5P/F 焊线式母座带护套 CHECKED: _____ PART No: U442-9021-G61078 C DRAWED: Shen PROJECTION: UNIT: mm SCALE: 5:1 SHEET: 1 OF 1 REV. A DATE: 2021.09.01					
.XX ±0.20	.XX' ±2'						
.X ±0.30							