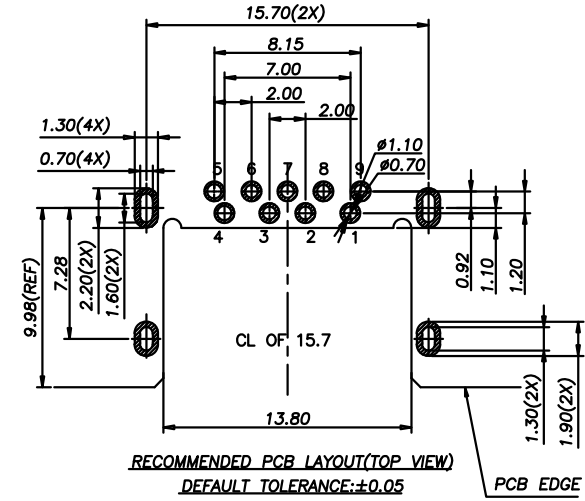
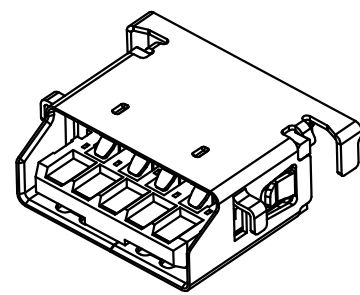
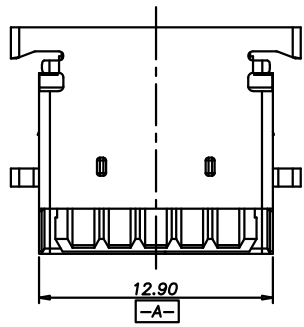
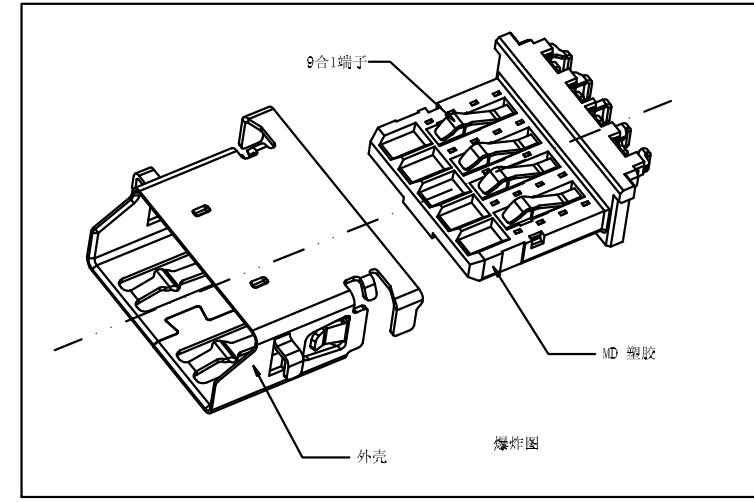
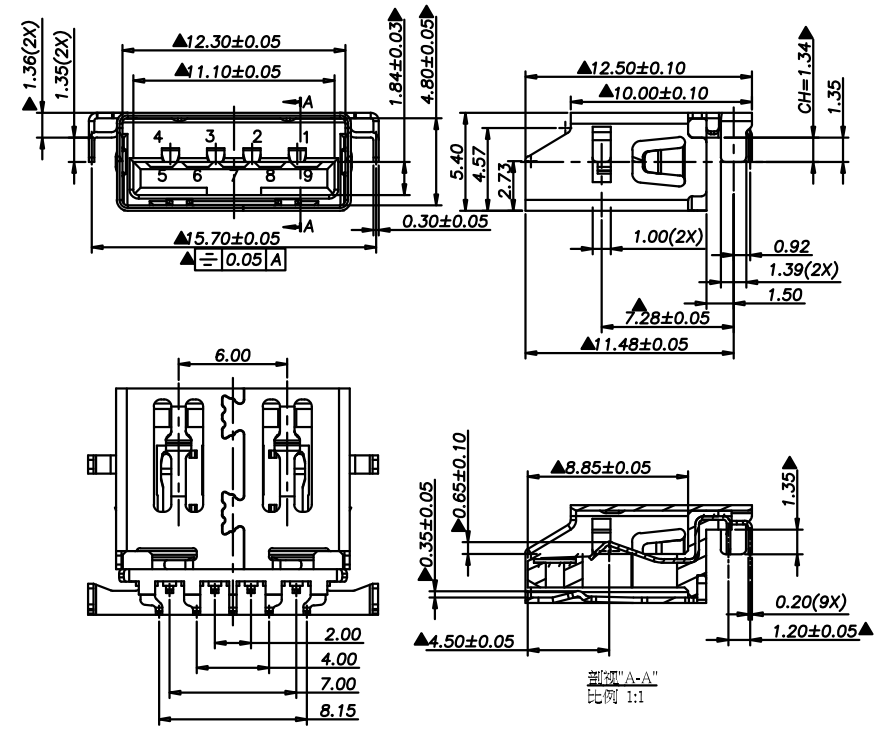


REV.	ECN.NO.	APPD.
A	EXXXXXXXXXX	chenyiting



Remark:  
1.MATERIAL:  
1.1 Housing:thermoplastic plastics.  
1.2 terminals:Copper Alloy  
1.3 Front Shell:Copper Alloy/SPCC.  
Middle Shell:SPCC  
2.characteristics:  
2.1 Rating Voltage : 30V AC.  
2.2 Rating Current:PIN1&PIN4(Vbus&Corresponding ground PIN)  
1.8A MAX Other PINS 0.25A min.  
2.3 Contact Resistance:PIN1&PIN4:30 mΩ MAX. Other PINS: 50 mΩ  
2.4 Insulation Resistance:100 MΩ MIN.  
2.5 Withstanding Voltage:AC 100V between adjacent contacts  
2.6 Mating force: 3.57Kgf MAX(35N MAX)  
2.7 Extraction force:1Kgf Min(9.8N Min)  
2.8 Life test:1500Cycles MIN.  
2.9 Temperature Range: -30℃~+80℃.

U321-4615-G61038  
5: 铜壳镀镍  
3: 载带  
1: 黑色  
6: LCP  
G: 半金G/Fu



Pin #	SIGNAL NAME	DESCRIPTION	MATING SEQUENCE
1	VBUS	POWER	SECOND
2	D-	USB 2.0 DIFFERENTIAL PAIR	THIRD
3	D+	USB 2.0 DIFFERENTIAL PAIR	THIRD
4	GND	GROUND FOR POWER RETURN	SECOND
5	StA_SSRX-	SUPER-SPEED RECEIVER DIFFERENTIAL PAIR	LAST
6	StA_SSRX+	SUPER-SPEED RECEIVER DIFFERENTIAL PAIR	LAST
7	GND_DRAIN	GROUND FOR SIGNAL RETURN	
8	StA_SSTX-	SUPER-SPEED TRANSMITTER DIFFERENTIAL PAIR	
9	StA_SSTX+	SUPER-SPEED TRANSMITTER DIFFERENTIAL PAIR	
Shell	Shield	CONNECTOR METAL SHELL	FIRST

TOLERANCE UNLESS OTHERWISE SPECIFIED	
.XXX ±0.10	.X' ±3'
.XX ±0.20	.XX' ±2'
.X ±0.30	

**FLW** 深圳市华联威电子科技有限公司  
HUA LIAN WEI TECHNOLOGY ELECTRONICS CO;LTD.

APPROVED

CHECKED

DRAWN chenyiting

DATE 2021.06.03

PART NAME: USB 3.0 AF 沉板1.36斜口黑铜

PART No: U321-4615-G61038

PROJECTION: UNIT: mm SCALE: 1:1 SHEET: 10F1 REV: A