

**RECOMMENDED PCB LAYOUT(TOP VIEW)**

THICKNESS T=1.0mm  
DEFAULT TOLERANCE+/-0.05

INTERFACE(FRONT VIEW)

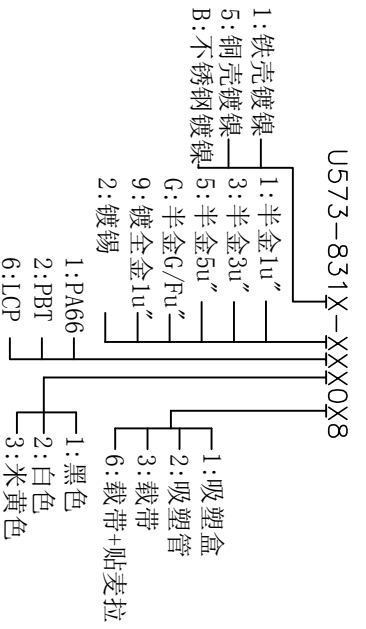
A1	A2	A3	A4	A5	A6	A7	A8	A9	A10	A11	A12
			VBUS					VBUS			GND
GND											
B12	B11	B10	B9	B8	B7	B6	B5	B4	B3	B2	B1

**PIN ASSIGNMENT**

PIN NO.	A12&B12	A4&B4
SIGNAL NAME	GND	VBUS
PCB PAD NO.	C1	C2

**NOTES:**

- SPECIFICATION:**
- CURRENT RATING: 3.0A MAX
  - DIELECTRIC WITHSTAND VOLTAGE: 100VAC
  - TEMPERATURE RANGE: -30 °C ~ 85 °C
  - CONTACT RESISTANCE: 40 MILLIONHM MAX
  - INSULATION RESISTANCE: 100 MEGOHMS MIN.
  - INSERTION FORCE : 5N~20N
  - UNMATING FORCE: 8N~20N
  - DURABILITY:5000 CYCLES



U573-831X-XXXXX8

TOLERANCE UNLESS OTHERWISE SPECIFIED	XXX ±0.10	XX ±0.20	X ±0.30	X' ±3	XX' ±2
<b>HLW</b> 深圳市华联威电子科技有限公司					
HUA LIAN WEI TECHNOLOGY ELECTRONICS CO.,LTD.					
<b>PART NAME:</b>	TYPE C 2P 三脚立式有柱1.0				
<b>CHECKED</b>	<b>PART No.:</b>	U573-831B-061038			
<b>DRAWN</b>	<b>PROJECTION:</b>	<b>UNIT:</b>	<b>SCALE</b>	<b>SHEET</b>	<b>REV.</b>
YONGGUIFENG		mm	1:1	1 OF 1	A
<b>DATE</b>	2021.12.01				

REV.	ECON.NO.	APPD.
A	EXXXXXXXXXX	yongguifeng