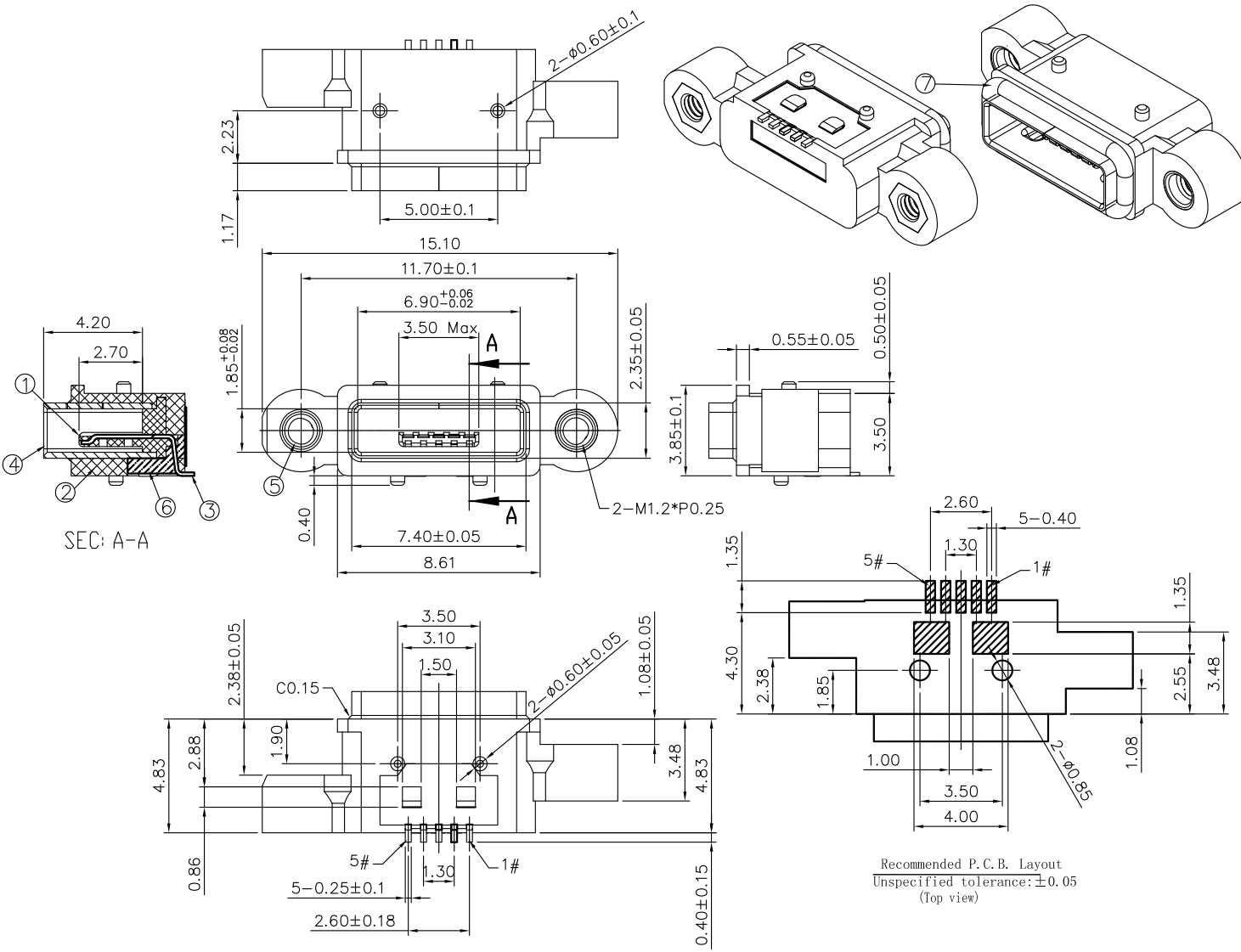
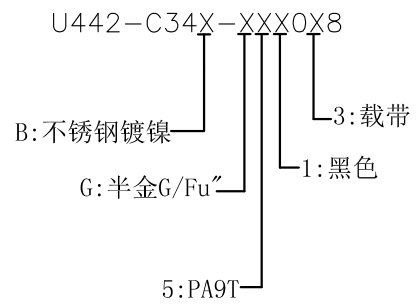


REV.	ECN.NO.	APPD.
A	EXXXXXXXXXX	yangguifeng



NOTES:

- MATERIAL:
 - Housing: thermoplastic plastics,
 - terminals: Copper Alloy
Gold plated overall
 - Shell: Steel & Copper Alloy
Nickel/Tin Plated overall
- ELECTRICAL CHARACTERISTICS:
 - Rating Current :1.5 Ampere
 - Rating Voltage :30 V Max
 - Contact Resistance:50 Milli ohms
 - Insulation Resistance:100 Mega ohms Min.
- MECHANICAL CHARACTERISTICS:
 - Connector Mating force: 35N MAX
 - Connector Unmating force:7N min
- ENVIRONMENT CHARACTERISTICS:
 - Operating temperature:-0°C to +50°C
 - Storage temperature:-20°C to +60°C



Contact Number	Signal Name	Remarks
1#	VBUS	Power
2#	D-	Date-
3#	D+	Date+
4#	ID	Reserve or Gound
5#	GND	Gound

TOLERANCE UNLESS OTHERWISE SPECIFIED		FLW 深圳市华联威电子科技有限公司 HUA LIAN WEI TECHNOLOGY ELECTRONICS CO;LTD.				
.XXX ±0.10	.X' ±3'	APPROVED	PART NAME:	MICRO 5P 短体4.83带螺母有柱0.6		
.XX ±0.20	.XX' ±2'	CHECKED	PART No:	U442-C34B-G51038	C	
.X ±0.30		DRAWN	yangguifeng	PROJECTION:	UNIT:	SCALE
		DATE	2021.12.01		mm	1:1
					SHEET	REV.
					1 OF 1	A