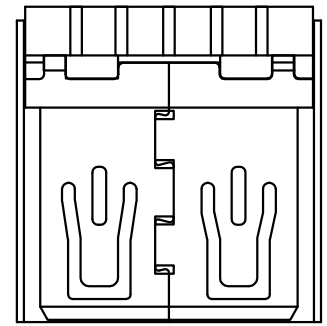
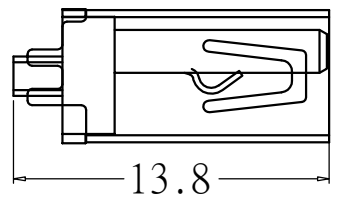
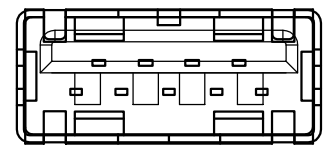
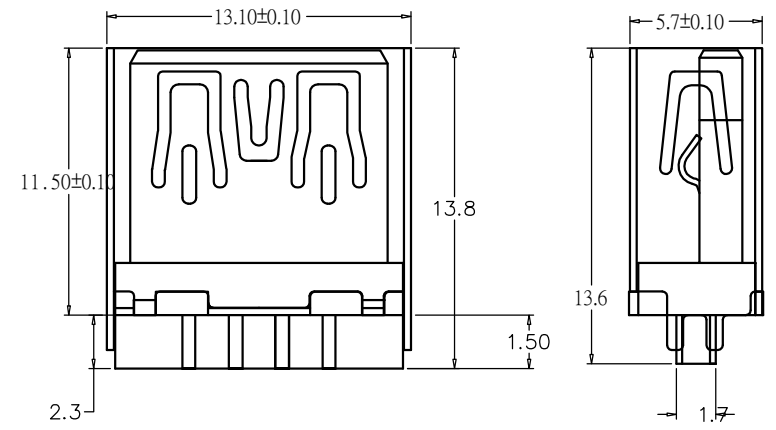


REV.	ECN.NO.	APPD.
A	EXXXXXXXXXX	yangguifeng

Remark:
 1.MATERIAL:
 1.1 Housing: thermoplastic plastics.
 1.2 terminals: Copper Alloy
 1.3 Front Shell: Copper Alloy/SPCC
 Middle Shell: SPCC
 2.characteristics:
 2.1 Rating Voltage : 30V AC.
 2.2 Rating Current: PIN1&PIN4(Vbus&Correponding ground PIN)
 1.8A MAX Other PINS 0.25A min.
 2.3 Contact Resistance: PIN1&PIN4: 30 mΩ MAX. Other PINS: 50 mΩ
 2.4 Insulation Resistance: 100 MΩ MIN.
 2.5 Withstanding Voltage: AC 100V between adjacent contacts
 2.6 Mating force: 3.57Kgf MAX(35N MAX)
 2.7 Extraction force: 1Kgf Min(9.8N Min)
 2.8 Life test: 1500Cycles MIN.
 2.9 Temperature Range: -30℃~+80℃.

U325-0441-G27017
 1: 铁壳镀镍
 G: 半金G/Fu
 2: PBT
 1: 吸塑盒
 7: 蓝色



PIN NU_BER	SIGNAL NAME
1	USB电压
2	D-(负极)
3	D+(正极)
4	地线
5	SSRX-
6	SSRX+
7	GND(地线)
8	SSRX-
9	SSRX+
shell	SHIELD

TOLERANCE UNLESS OTHERWISE SPECIFIED		深圳市华联威电子科技有限公司 HUA LIAN WEI TECHNOLOGY ELECTRONICS CO;LTD.							
.XXX ±0.10	.XX ±0.20	.X ±0.30	.X' ±3'	.XX' ±2'	APPROVED	PART NAME:	3.0 AF 180° 焊线夹板11.5无卷边		
CHECKED	yangguifeng	DATE	2021.12.01	PROJECTION:	UNIT:	SCALE	SHEET	REV.	
DRAWN		DATE		PART No:		U325-0441-G27017			
DATE		2021.12.01		mm		1:1			

由 Autodesk 教育版产品制作