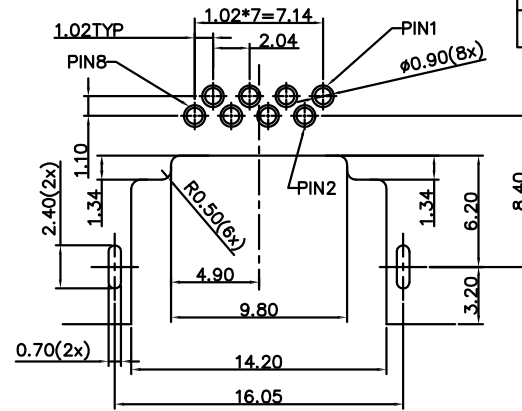
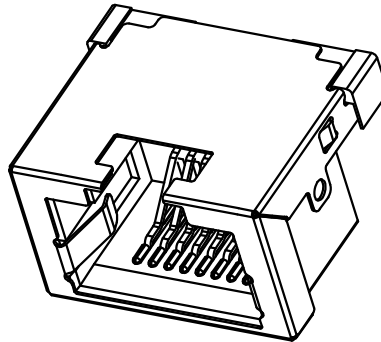
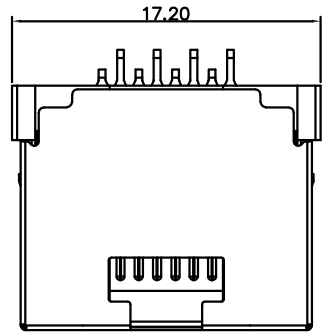
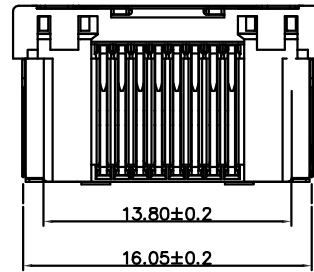
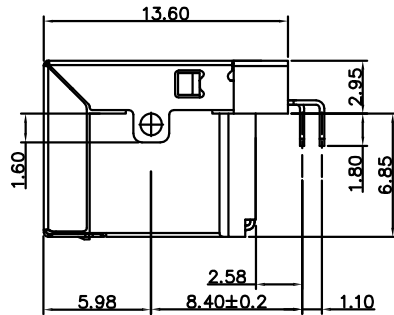
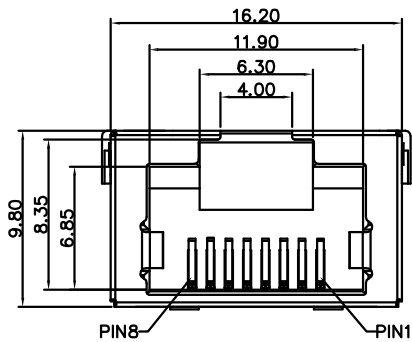


9 8 7 6 5 4 3 2 1

REV.	ECN.NO.	APPD.
A	/	/



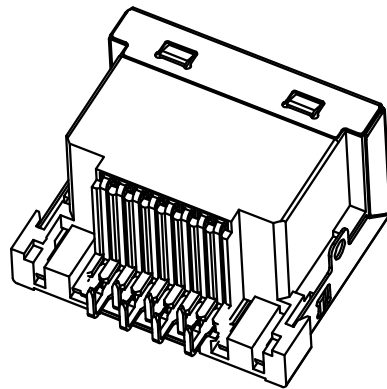
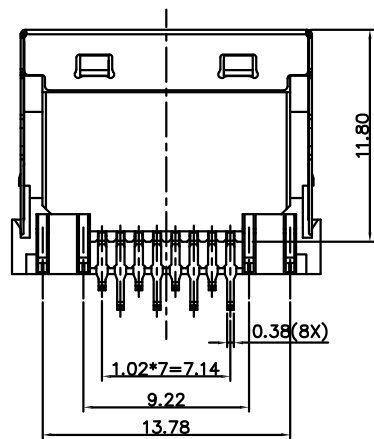
RECOMMENDED PCB LAYOUT
TOLERANCE ±0.05



NOTES:

- MATERIAL:**
 - Housing: thermoplastic plastics
 - terminals: Copper Alloy
Gold plated in contact area:
OR Gold Plated overall
 - Shell: Steel & Copper Alloy
Nickel/Tin Plated overall
- ELECTRICAL CHARACTERISTICS:**
 - Rating Current : 1.5 Ampere
 - Rating Voltage : 125 V Max
 - Contact Resistance: 50 Milli ohms
 - Insulation Resistance: 500 Mega ohms Min.
- MECHANICAL CHARACTERISTICS:**
 - Connector Mating force: 2.27kgf MAX
 - Durability: 750 Cycles.
- ENVIRONMENT CHARACTERISTICS:**
 - Operating temperature: -40°C to +85°C
 - Storage temperature: -10°C to +40°C

R5D0-1102B-G31018
 G: 半金G/Fu^z
 3: PA46
 1: 黑色



TOLERANCE UNLESS OTHERWISE SPECIFIED	
.XXX ±0.10	.X ±3'
.XX ±0.20	.XX' ±2'
.X ±0.30	

FLW 深圳市华联威电子科技有限公司

HUA LIAN WEI TECHNOLOGY ELECTRONICS CO;LTD.

APPROVED		PART NAME:	RJ45 沉板90度H2.95			
CHECKED		PART No:	R5D0-1102B-G31018	C		
DRAWN	weihong	PROJECTION:	UNIT:	SCALE	SHEET	REV.
DATE	2021.7.23		mm	1:1	10F1	A

9 8 7 6 5 4 3 2 1