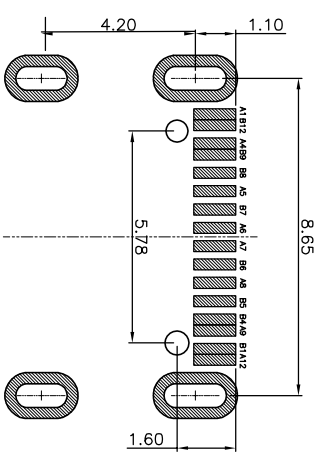
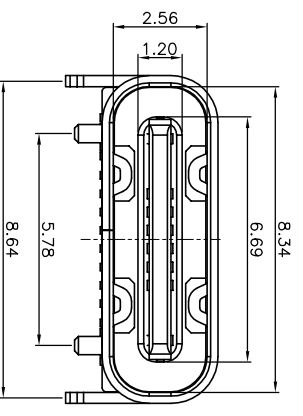
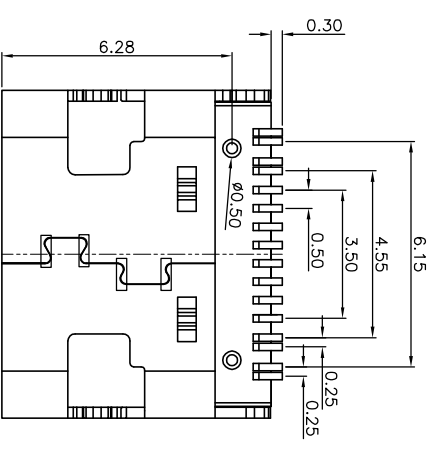
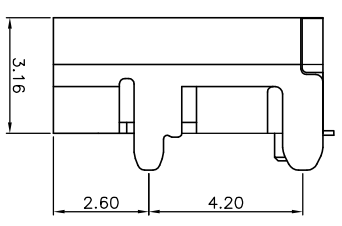
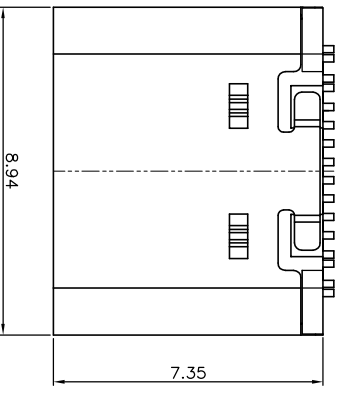
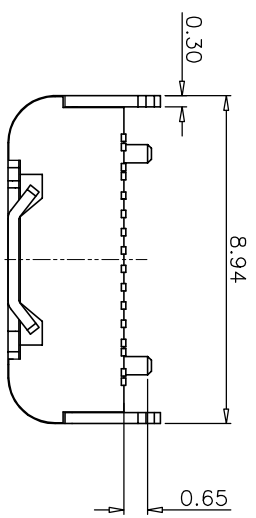


REV.	ECH. NO.	APPD.
A	/	/



PCB LAYOUT(Recommend)
(General Tolerance:±0.05)

- 1.ELECTRICAL:0.25A MIN FOR OTHER.
VOLTAGE: 5VAC MAX
WITHSTANDING VOLTAGE: 100V AC.
CONTACT RESISTANCE: 40mΩ MAX.
INSULATION RESISTANCE: 100MΩ MIN.
- 2.MECHANICAL:
INSERTION: 5~20N.
EXTRACTION: 8~20N.
DURABILITY: 10000 CYCLES
- 3.ENVIRONMENTAL
TEMPERATURE RANGE -55°C ~ +85°C
- 4.MATERIAL LIST.

PIN ASSIGNMENTS

A5	CC1	B12	GND
A9	VBUS	B9	VBUS
A12	GND	B5	CC2
PIN	SIGNAL NAME	PIN	SIGNAL NAME

TOLERANCE UNLESS OTHERWISE SPECIFIED	XXX ±0.10	.XX ±0.20	.X ±0.30	X ±3	.XX ±2
HLW 深圳市华联威电子科技有限公司	HUA LIAN WEI TECHNOLOGY ELECTRONICS CO.,LTD.				

PART NAME: USB TYPE C 16P 单排端子贴片 N款

PART NO.: U572-191B-161038

UNIT: mm SCALE: 1:1 SHEET: 10F1 REV. A

DATE: 2021.07.23

