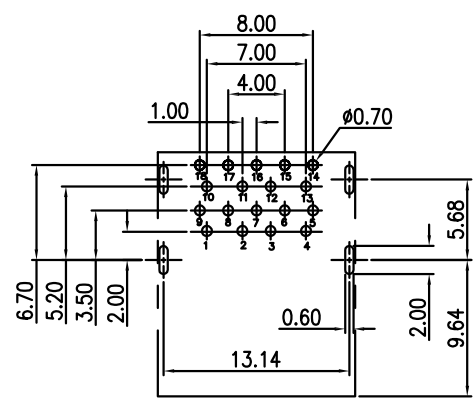
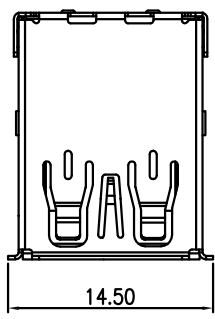


REV.	ECN.NO.	APPD.
A	/	/

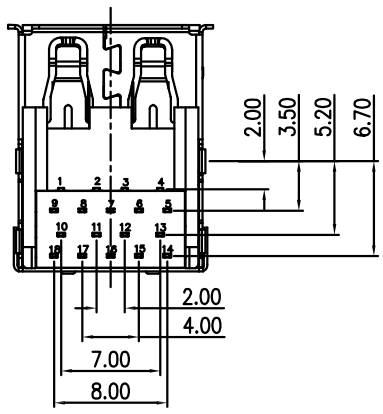
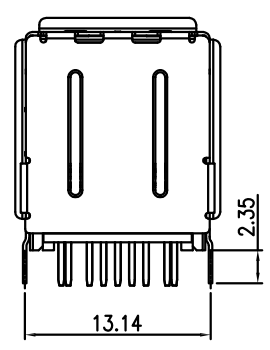
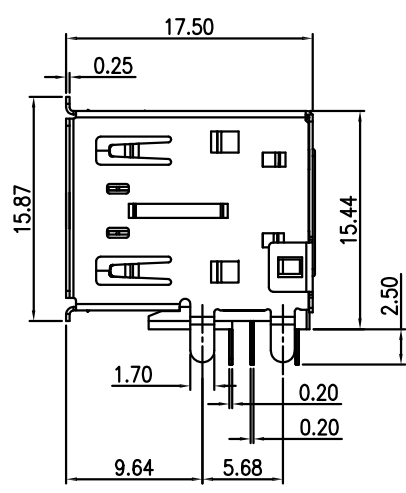
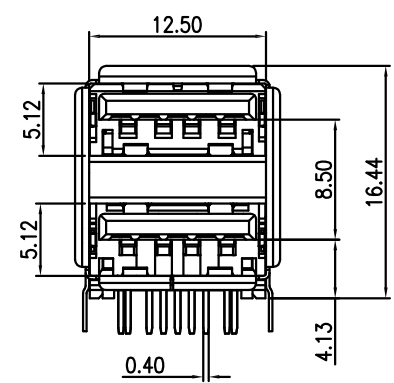


RECOMMENDED P.C.B HOLE LAYOUT  
TOP VIEW (TOLERANCE: ±0.05)

Remark:  
 1.MATERIAL:  
 1.1 Housing:thermoplastic plastics.  
 1.2 terminals:Copper Alloy  
 1.3 Front Shell:Copper Alloy/SPCC.  
 Middle Shell:SPCC  
 2.characteristics:  
 2.1 Rating Voltage : 30V AC.  
 2.2 Rating Current:PIN1&PIN4(Vbus&Correponding ground PIN)  
 1.8A MAX Other PINS 0.25A min.  
 2.3 Contact Resistance:PIN1&PIN4:30 mΩ MAX. Other PINS: 50 mΩ  
 2.4 Insulation Resistance:100 MΩ MIN.  
 2.5 Withstanding Voltage:AC 100V between adjacent contacts  
 2.6 Mating force: 3.57Kgf MAX(35N MAX)  
 2.7 Extraction force:1Kgf Min(9.8N Min)  
 2.8 Life test:1500Cycles MIN.  
 2.9 Temperature Range: -30℃~+80℃.

U321-551X-XXX0X7

B: 不锈钢镀镍  
 G: 半金G/Fu  
 2: PA9T  
 1: 吸塑盒  
 7: 蓝色



TOLERANCE UNLESS OTHERWISE SPECIFIED		<b>FLW 深圳市华联威电子科技有限公司</b>			
.XXX ±0.10 .XX ±0.20 .X ±0.30		.X' ±3' .XX' ±2'		HUA LIAN WEI TECHNOLOGY ELECTRONICS CO;LTD.	
APPROVED		PART NAME:	3.0 AF 90度双层直脚		
CHECKED		PART No:	U321-551B-G27017	C	
DRAWN	yangguifeng	PROJECTION:	UNIT:	SCALE	SHEET
DATE	2021.11.15		mm	1:1	10F1
					REV. A