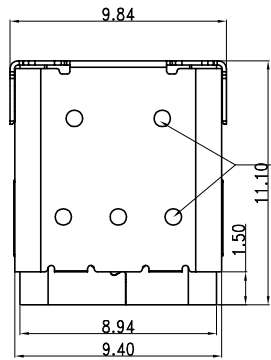
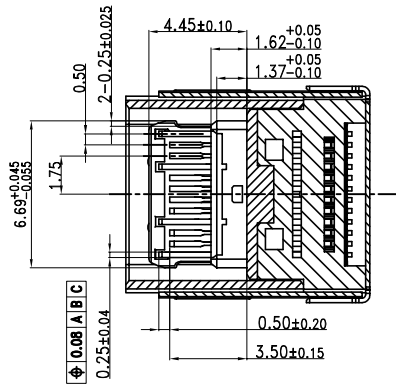


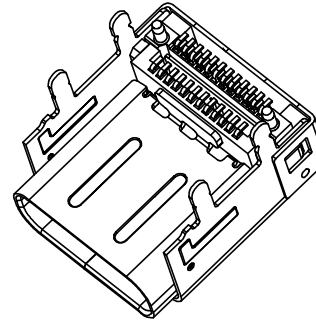
REV.	ECN.NO.	APPD.
A	/	/



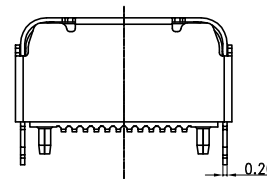
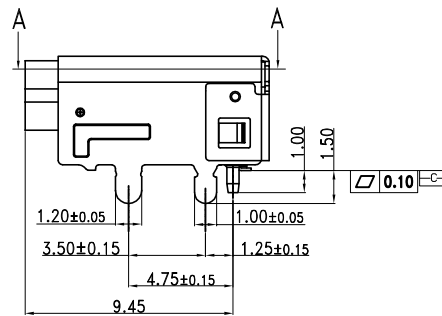
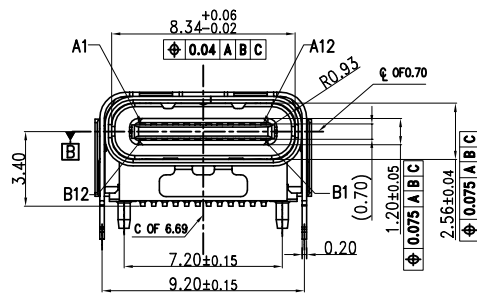
Spot welding position is only for your reference



SECTION A-A



- ELECTRICAL: 0.25A MIN FOR OTHER.
VOLTAGE: 5VAC MAX
WITHSTANDING VOLTAGE: 100V AC.
CONTACT RESISTANCE: 40mΩ MAX.
INSULATION RESISTANCE: 100MΩ MIN.
- MECHANICAL:
INSERTION: 5~20N.
EXTRACTION: 8~20N.
DURABILITY: 10000 CYCLES
- ENVIRONMENTAL
TEMPERATURE RANGE -55°C ~ +85°C

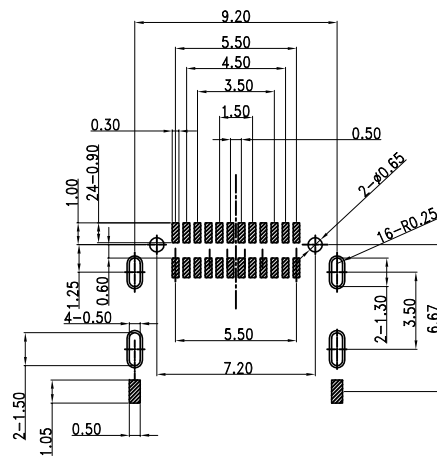
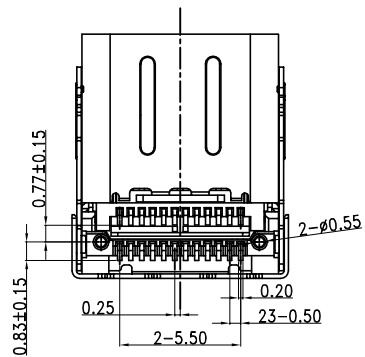


U572-276X-XXX0X8

- | | | |
|----------|-----------|--------|
| 1: 铁壳镀镍 | 1: 半金1u" | |
| 5: 铜壳镀镍 | 3: 半金3u" | |
| B: 不锈钢镀镍 | 5: 半金5u" | |
| | 8: 半金15u" | |
| | 9: 镀全金1u" | |
| | 4: 镀全亮锡 | |
| | 1: PA66 | 1: 黑色 |
| | 2: PBT | 2: 白色 |
| | 6: LCP | 3: 米黄色 |

4. MATERIAL LIST:

No.	PART NAME	QTY	MATERIAL	REMARK
6	EMC	1	STAINLESS STEEL(SUS304)	NI PLATED
5	MID PLATE	1	STAINLESS STEEL(SUS301)	
4	OUT SHELL	1	STAINLESS STEEL(SUS304)	NI PLATED
3	INNER SHELL	1	STAINLESS STEEL(SUS304)	NI PLATED
2	CONTACT	24	COPPER ALLOY(C7025)	AU 3U PLATED
1	HOUSING	1	THERMOPLASTIC(LCP)	(UL 94V-0)



RECOMMENDED P.C.B LAYOUT (COMPONENT SIDE)

TOLERANCE UNLESS OTHERWISE SPECIFIED	
.XXX ±0.10	.X' ±3'
.XX ±0.20	.XX' ±2'
.X ±0.30	

FLW 深圳市华联威电子科技有限公司

HUA LIAN WEI TECHNOLOGY ELECTRONICS CO;LTD.

APPROVED		PART NAME:	USB TYPE CF加高型CH3.4双排SMT			
CHECKED		PART No:	U572-276B-361038			C
DRAWN	weihong	PROJECTION:	UNIT:	SCALE	SHEET	REV.
DATE	2021.07.23		mm	1:1	10F1	A