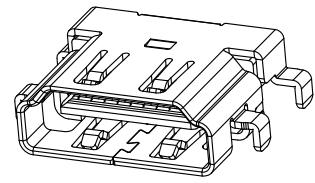
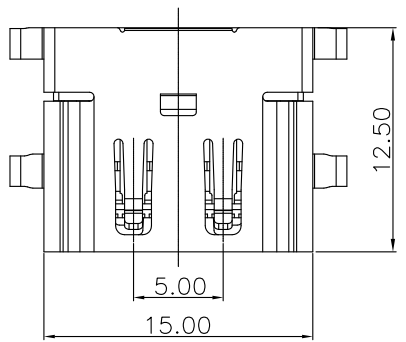
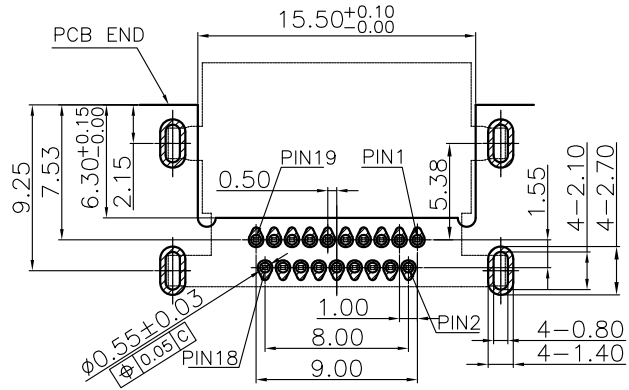
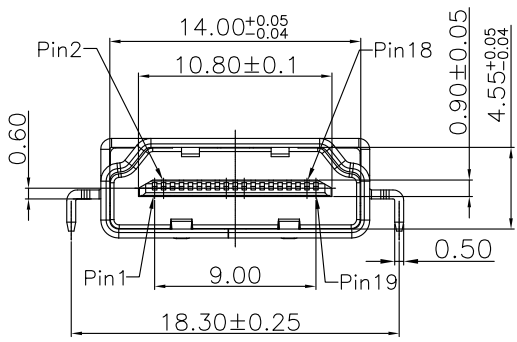


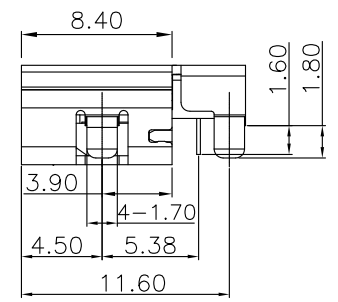
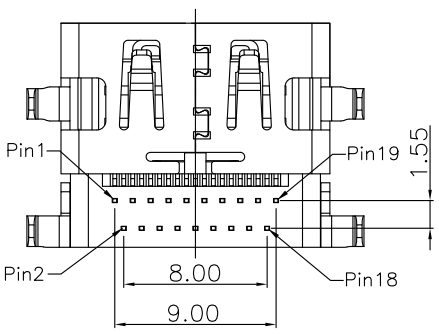
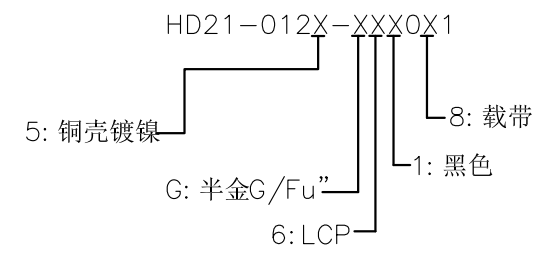
|      |         |       |
|------|---------|-------|
| REV. | ECN.NO. | APPD. |
|      |         |       |



- NOTES:
- MATERIAL:
    - Housing: thermoplastic plastics
    - terminals: Copper Alloy  
Gold plated in contact area:  
Tin plated in termination  
Nickel Plated overall
    - Shell: Steel & Copper Alloy  
Nickel/Au Plated overall
  - ELECTRICAL CHARACTERISTICS:
    - Rating Current : 0.5 Ampere
    - Rating Voltage : 40 V Max
    - Contact Resistance: 30 Milli ohms
    - Insulation Resistance: 100 Mega ohms Min.
  - MECHANICAL CHARACTERISTICS:
    - Connector Mating force: 4.5kg MAX
    - Connector Unmating force: 1.0Kg min
    - Durability: 10000 Cycles.
  - ENVIRONMENT CHARACTERISTICS:
    - Operating temperature: -20°C to +85°C
    - Storage temperature: -20°C to +65°C



RECOMMENDED P.C.B LAYOUT  
(TOLERANCE=±0.03mm)



|                                      |            |
|--------------------------------------|------------|
| TOLERANCE UNLESS OTHERWISE SPECIFIED |            |
| .XXX ±0.30                           | .X' ±5°    |
| .XX ±0.20                            | .XX' ±2°   |
| .X ±0.10                             |            |
| APPROVED                             |            |
| CHECKED                              |            |
| DRAWN                                | dengshan   |
| DATE                                 | 2020.12.14 |

**FLW** 深圳市华联威电子科技有限公司  
HUA LIAN WEI TECHNOLOGY ELECTRONICS CO;LTD.

|             |                       |        |        |
|-------------|-----------------------|--------|--------|
| PART NAME:  | HDMI 反向沉板 四K脚 板上高3.37 |        |        |
| PART No:    | HD21-0125-G61081      | C      |        |
| PROJECTION: | UNIT:                 | SCALE: | SHEET: |
|             | mm                    | 1:1    | 10F1   |
|             |                       |        | REV.:  |
|             |                       |        | A      |