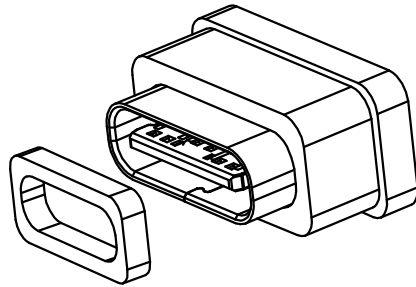
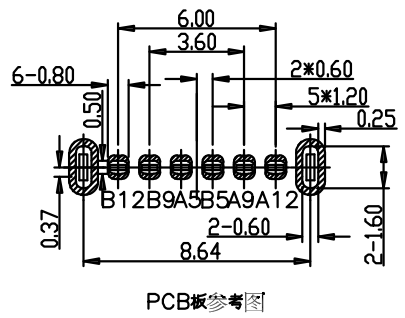
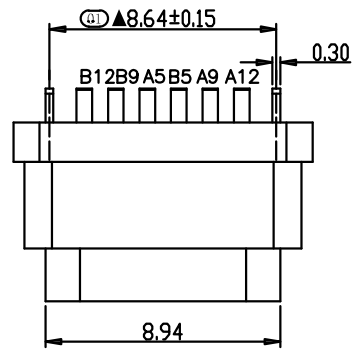
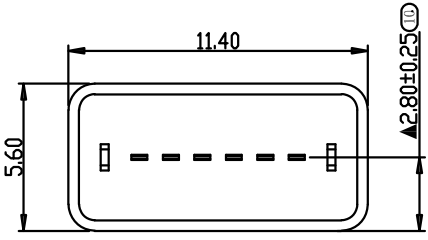
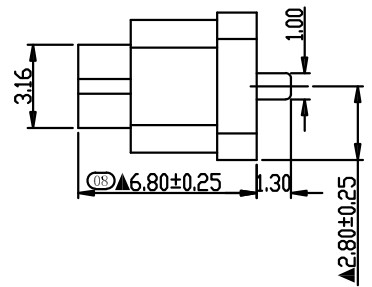
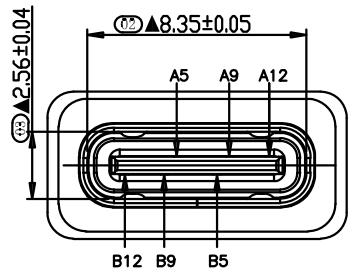


REV.	ECN.NO.	APPD.
A	EXXXXXXXXXX	chenyiting



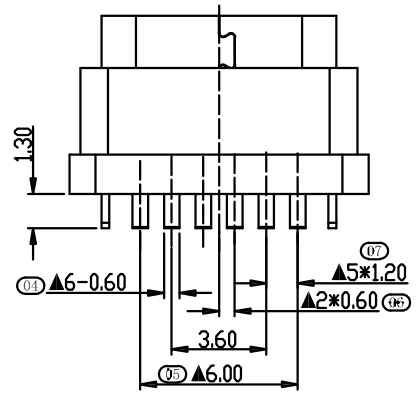
NOTES:
 1.MATERIAL:
 1.1 Housing:thermoplastic plastics
 1.2 terminals:Copper Alloy
 Gold plated in contact area:
 Tin plated in termination
 Nickel Plated overall
 1.3 Shell:Steel&Copper Alloy
 Nickel/Au Plated overall
 2.characteristics:
 2.1 Rating Voltage : 30V AC.
 2.2 Rating Current:
 5A for Vbus PIN;1.25A for Vconn PIN
 2.3 Contact Resistance:40 mΩ MAX.
 2.4 Insulation Resistance:100 MΩ MIN.
 2.5 Withstanding Voltage:AC 100V
 2.6 Mating force: 5~20N MAX
 2.7 Extraction force:8~20N Min
 2.8 Life test:10000Cycles MIN.
 2.9 Temperature Range: -30℃~+80℃.
 The product must be compliance ROHS



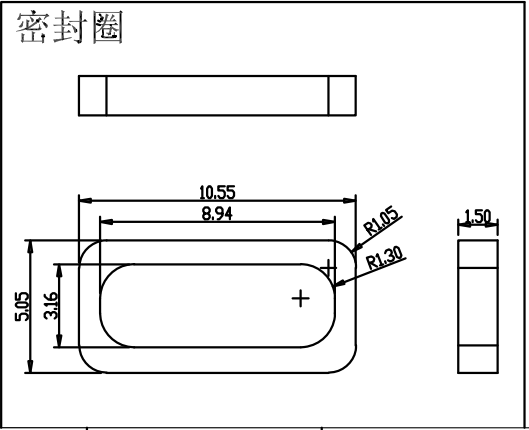
U573-501B-G61038

B: 不锈钢壳镀镍 — 3: 载带
 G: 半金/Gu — 1: 黑色
 6: LCP

A12	A11	A10	A9	A8	A7	A6	A5	A4	A3	A2	A1
GND			VBUS				CC1				
				CC1			VBUS				GND
B1	B2	B3	B4	B5	B6	B7	B8	B9	B10	B11	B12



密封圈



TOLERANCE UNLESS OTHERWISE SPECIFIED		FLW 深圳市华联威电子科技有限公司			
.XXX ±0.10		HUA LIAN WEI TECHNOLOGY ELECTRONICS CO;LTD.			
.XX ±0.20		.X' ±3'			
.X ±0.30		.XX' ±2'			
APPROVED		PART NAME:	TYPE C 6P 立插式 短体带防水胶圈 全塑		
CHECKED		PART No:	U573-501B-G61038		C
DRAWN	chenyiting	PROJECTION:	UNIT:	SCALE:	SHEET:
DATE	2022.08.10		mm	1:1	1 OF 1
					REV. A