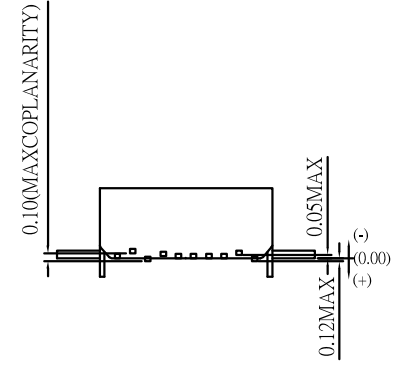
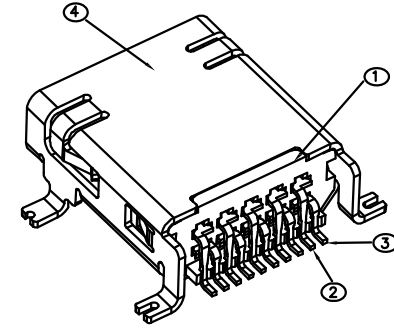


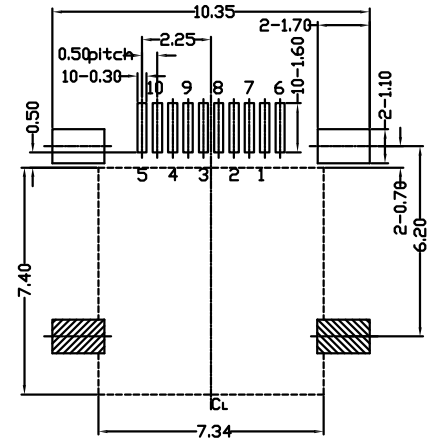
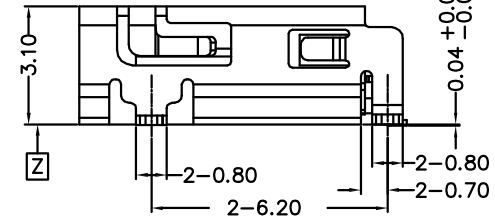
REV.	ECN.NO.	APPD.
A0	/	/

NOTES:

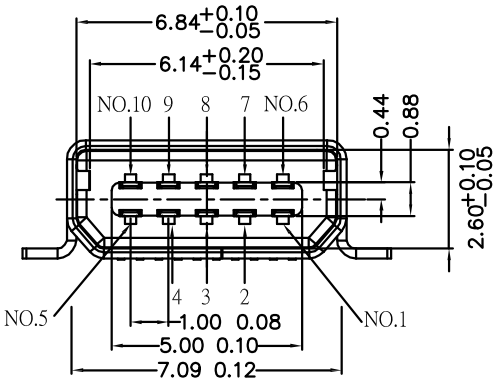
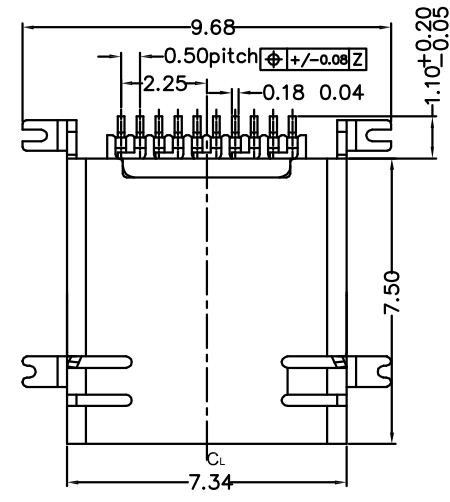
- 1.MATERIAL:
  - 1.1 Housing: thermoplastic plastics,
  - 1.2 terminals:Copper Alloy  
Gold plated in contact area:  
Tin 40u"min plated in termination  
Nickel Plated overall
  - 1.3 Shell:Steel&Copper Alloy  
Nickel/Tin Plated overall
- 2.ELECTRICAL CHARACTERISTICS:
  - 2.1 Rating Current :1.5 Ampere
  - 2.2 Rating Voltage :30 V Max
  - 2.3 Contact Resistance:50 Milli ohms
  - 2.4 Insulation Resistance:100 Mega ohms Min.
- 3.MECHANICAL CHARACTERISTICS:
  - 3.1 Connector Mating force: 35N MAX
  - 3.2 Connector Unmating force:7N min
- 4.ENVIRONMENT CHARACTERISTICS:
  - 4.1 Operating temperature:-0°C to +50°C
  - 4.2 Storage temperature:-20°C to +60°C



0.04 +0.08 -0.09



U1A2-0136-G61018  
 6:铜壳镀雾锡  
 G:半金G/Fu"  
 6:LCP  
 1:吸塑盒  
 1:黑色



TOLERANCE UNLESS OTHERWISE SPECIFIED	
.XXX ±0.10	.X' ±3'
.XX ±0.20	.XX' ±2'
.X ±0.30	

**FLW** 深圳市华联威电子科技有限公司  
 HUA LIAN WEI TECHNOLOGY ELECTRONICS CO;LTD.

APPROVED		PART NAME:	MINI 10P 90度全贴片三星母座			
CHECKED		PART No:	U1A2-0136-G61018			C
DRAWN	chenyiting	PROJECTION:	UNIT:	SCALE	SHEET	REV.
DATE	2023.05.10		mm	1:1	10F1	A0