

ECN.NO.	ECN DESCRIPTION	REV.	DATE	APPD.
/	/	A	2015.01.21	pcy
/	/	A1	2021.11.19	qyh

NOTES:

1.MATERIAL:

- 1.1 Housing:thermoplastic plastics
- 1.2 terminals:Copper Alloy
Gold plated in contact area:
Tin plated in termination
Nickel Plated overall
- 1.3 Shell:Steel&Copper Alloy
Nickel Plated overall

2.ELECTRICAL CHARACTERISTICS:

- 2.1 Rating Current :1.5 Ampere
- 2.2 Rating Voltage :30 V Max
- 2.3 Contact Resistance:30 Milli ohms
- 2.4 Insulation Resistance:1000 Mega ohms Min.

3.MECHANICAL CHARACTERISTICS:

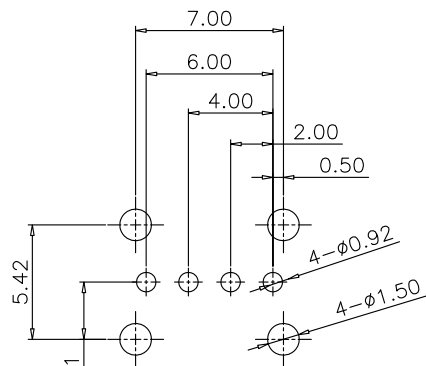
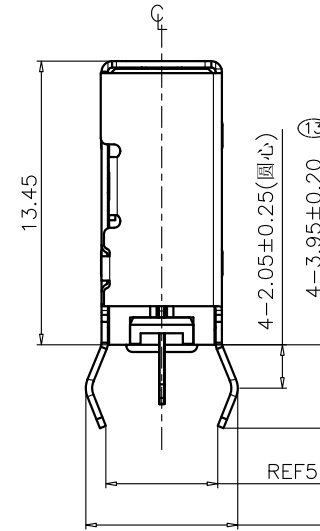
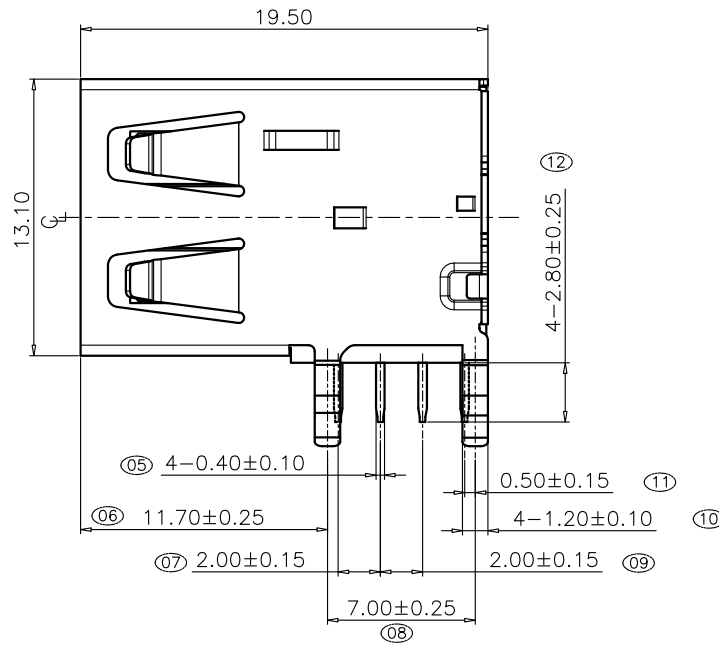
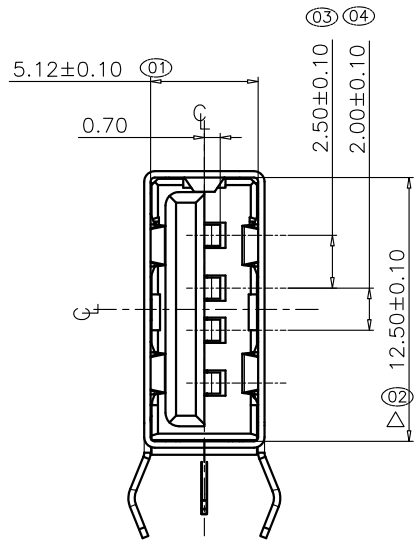
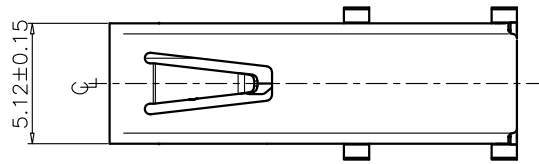
- 3.1 Connector Mating force: 35N MAX(3.57Kgf)
- 3.2 Connector Unmating force:10N min(1.02Kgf)
- 3.3 Durability:1500Cycles.

4.ENVIRONMENT CHARACTERISTICS:

- 4.1 Operating temperature:-0°C to +50°C
- 4.2 Storage temperature:-20°C to +60°C

U226-2721-G2121R
 1:Iron alloy
 Ni plating
 R:ROHS
 1:tray
 1:Black
 G:Au G/Fu" 2:PBT

以下板为准



RECOMMENDED PCB LAYOUT
COMPONENT SIDE

NO.	PART NAME	QTY.	MATERIAL	REMARK
③	SHELL	1 Pcs	Copper alloy/SPCC	Ni-PLATED
②	TERMINAL	1 Set	Copper alloy	Au/Sn-PLATED
①	HOUSING	1 Pcs	PBT	BLACK/WHITE

TOLERANCE UNLESS OTHERWISE SPECIFIED		FLW 深圳市华联威电子科技有限公司 HUA LIAN WEI TECHNOLOGY ELECTRONICS CO;LTD.			
.XXX ±0.10	.X' ±2'				
.XX ±0.20	.XX' ±1'				
.X ±0.30					

APPROVED		PART NAME:	USB AF 侧插长体 有塞C款 无卷边			
CHECKED		PART No:	U226-2721-G2121R			C
DRAWN	qinyuhua	PROJECTION:	UNIT:	SCALE	SHEET	REV.
DATE	2021.11.19		mm	1:1	10F1	A1