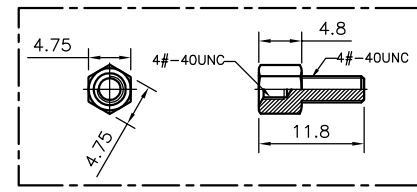
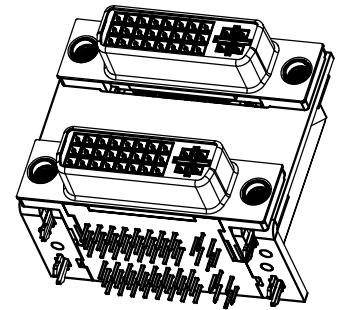
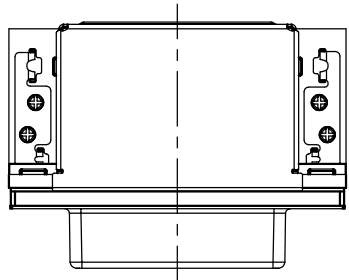
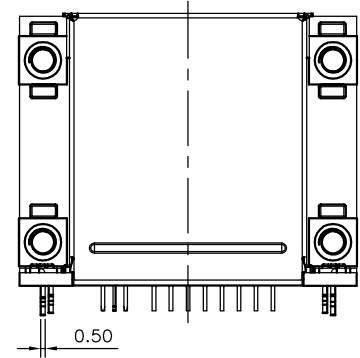
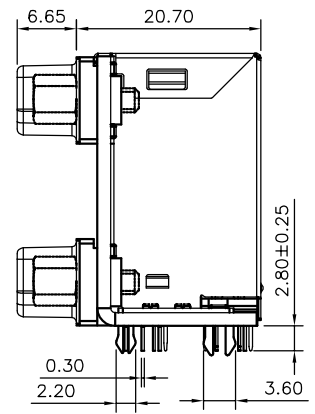
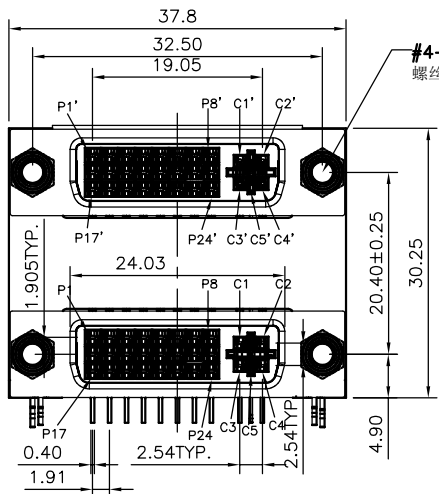


REV.	ECN.NO.	APPD.
A	EXXXXXXXXXX	yangguifeng

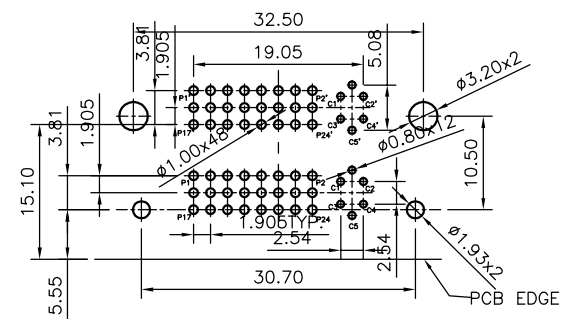
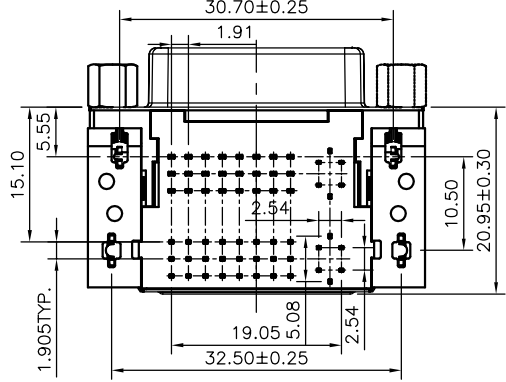
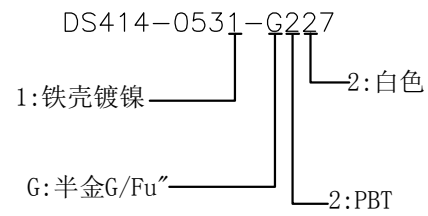


SCREW VIEW  
(BULK PACKING)



1.SPECIFICATION

- 2.1 Current Rate:5 Amps
- 2.2 Insulator Resistance:1000M  $\Omega$ in.
- 2.3 Dielectric Strength:500V AC PER MIN.
- 2.4 Operation Temperature:-55C~+105C°
- 2.5 Contact Resistance:30m  $\Omega$ ax



RECOMMENDED P.C.B LAYOUT(PCB THICKNESS: 1.6mm)  
COMPONENT SIDE VIEW(TOLERANCE: ±0.05)

TOLERANCE UNLESS OTHERWISE SPECIFIED		<b>FLW</b> 深圳市华联威电子科技有限公司			
.XXX ±0.10		HUA LIAN WEI TECHNOLOGY ELECTRONICS CO;LTD.			
.XX ±0.20		.X' ±3'		C	
.X ±0.30		.XX' ±2'		A	
APPROVED		PART NAME:	DVI24+5母双层铆合卧式		
CHECKED		PART No:	DS414-0531-G227		C
DRAWN	yangguifeng	PROJECTION:	UNIT:	SCALE	SHEET
DATE	2021.12.01		mm	1:1	1 OF 1
					REV. A