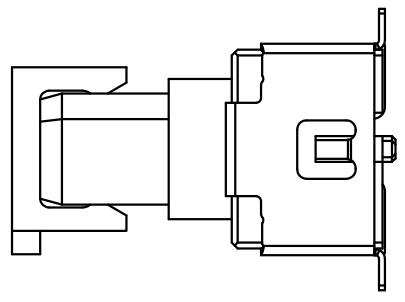
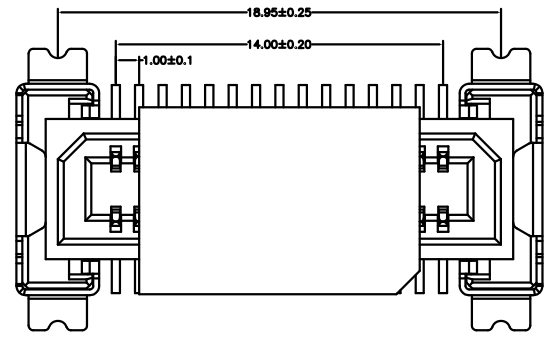


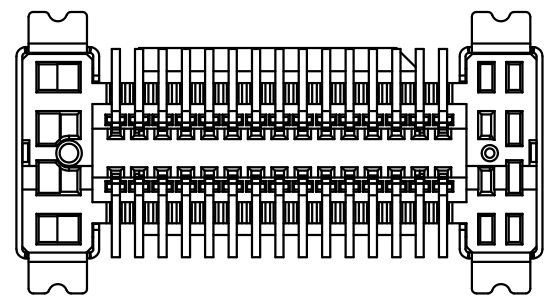
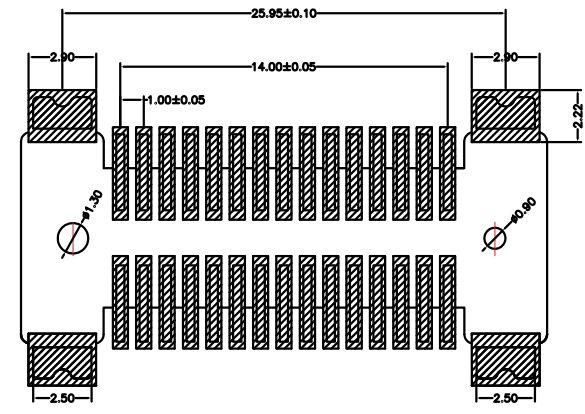
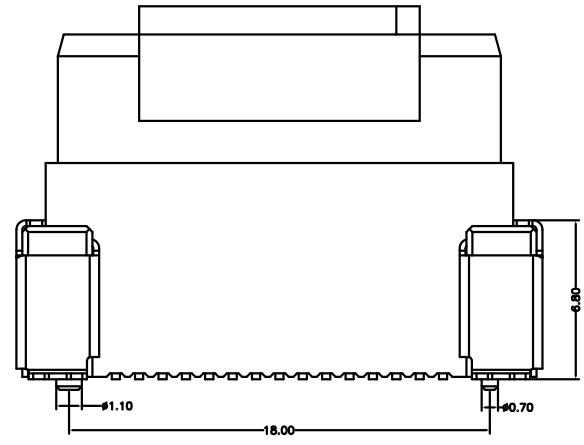
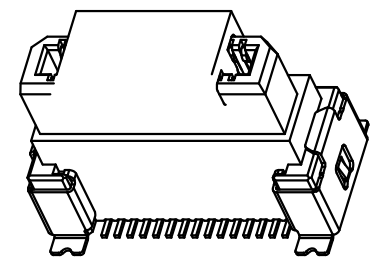
REV.	ECN.NO.	APPD.
A	XXXXXXXXXX	yangguifeng



- 技术指标 (Technical Index):
1. 工作温度 (Temperature range):  $-25^{\circ}\text{C}$  -  $85^{\circ}\text{C}$ .
  2. 额定电压 (Rated voltage): 250V DC/AC (rms)
  3. 额定电流 (Rated current): 5A AC, DC
  4. 接触阻抗 (CONTACT Resistance):  $\leq 25\text{M}\Omega$
  5. 耐压值 (Withstanding voltage): 1500V AC/minute
  6. 绝缘阻抗 (Insulation resistance)  $\geq 1000\text{M}\Omega$

216104-1096-G63018

G: 半金/Fu"      1: 吸塑盒  
6: LCP              3: 米黄色



TOLERANCE UNLESS OTHERWISE SPECIFIED	
.XXX ±0.10	.X' ±3'
.XX ±0.20	.XX' ±2'
.X ±0.30	

**FLW** 深圳市华联威电子科技有限公司  
HUA LIAN WEI TECHNOLOGY ELECTRONICS CO; LTD.

APPROVED		PART NAME:	板对板1.0公座			
CHECKED		PART No:	216104-1096-G63018	C		
DRAWN	yangguifeng	PROJECTION:	UNIT:	SCALE	SHEET	REV.
DATE	2021.12.01		mm	1:1	1 OF 1	A