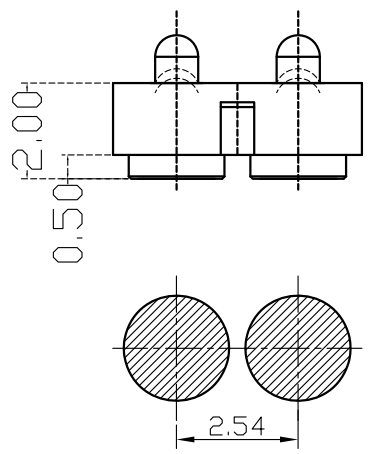
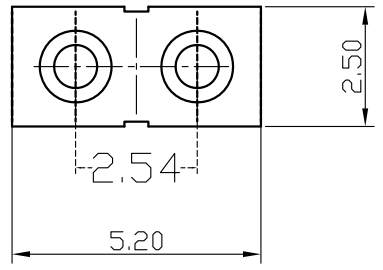


REV.	ECN.NO.	APPD.
A	/	ZFY

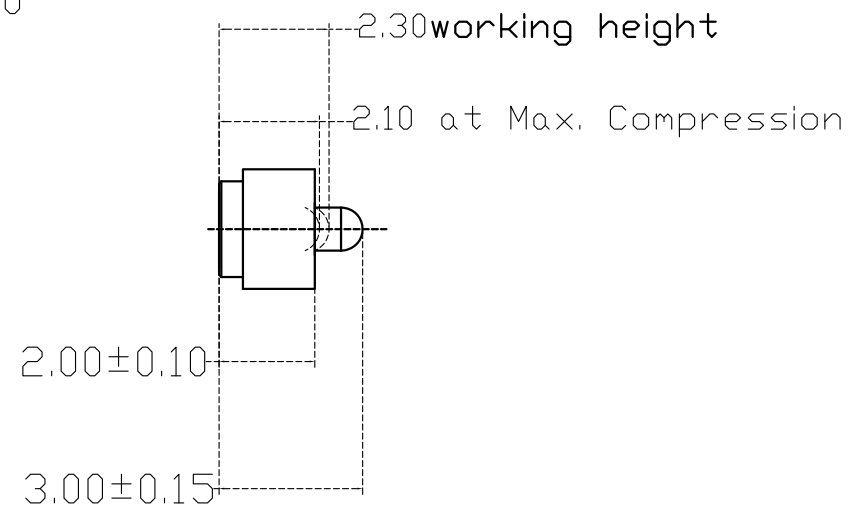
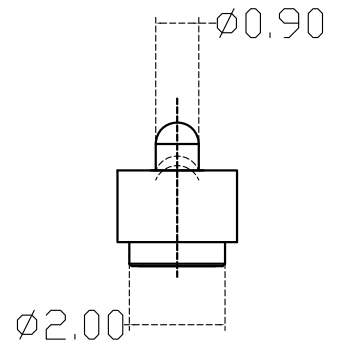
- 1.Plating
Plunger: 3 micro-inch minimum Au over 80-120 micro-inch nickel
Barrel: 3 micro-inch minimum Au over 80-120 micro-inch nickel
- 2.Electrical
Rated current & voltage: DC 12V; 1.0A Max.
Contact resistance: 50 mohm maximum at normal working height(quiesscence)
- 3.Mechanical
Spring force: 20g±5g at normal working height (travel 1.5mm)
Durability: 10,000 cycles(minimum)
- 4.To ensure the best usage,please operate it based on the working height
Based on the engineering drawings,shall not exceed the maximum allowed compression
- 5.To avoid arcing issue, The adaptor start to power supply after connector mated fully.
- 6.RoHS compliant product.

304206-0050-198

1:半金1u" 9:PA9T黑色



RECOMMEND PCB LAYOUT
Layout Tolerance: ± 0.05mm



TOLERANCE UNLESS OTHERWISE SPECIFIED	
.XXX ±0.15	.X" ±5*
.XX ±0.20	.XX" ±2*
.X ±0.30	

FLW 深圳市华联威电子科技有限公司
HUA LIAN WEI TECHNOLOGY ELECTRONICS CO;LTD.

APPROVED		PART NAME:	弹簧 间距2.54 SMT贴片顶针				
CHECKED		PART No:	304206-0050-198			C	
DRAWN	ZhangFenYan	PROJECTION:	UNIT:	SCALE	SHEET	REV.	
DATE	2018.10.10		mm	1:1	10F1	A	