

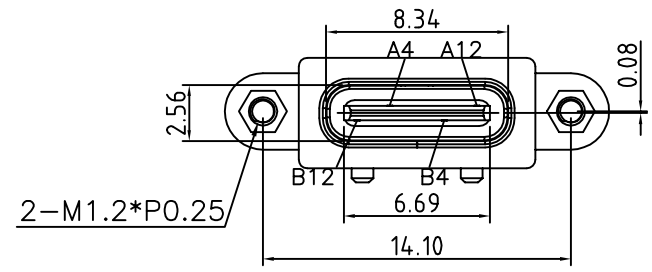
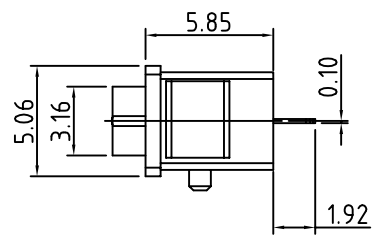
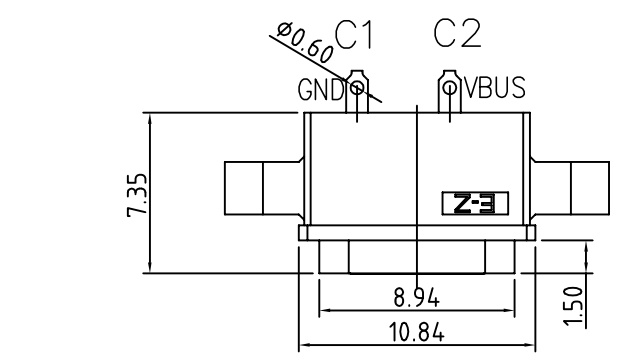
REV.	ECN.NO.	APPD.
A	EXXXXXXXXXX	yangguifeng

PIN ASSIGNMENT

PIN NO.	A12&B12	A4&B4
SIGNAL NAME	GND	VBUS
PCB PAD NO.	C1	C2

INTERFACE(FRONT VIEW)

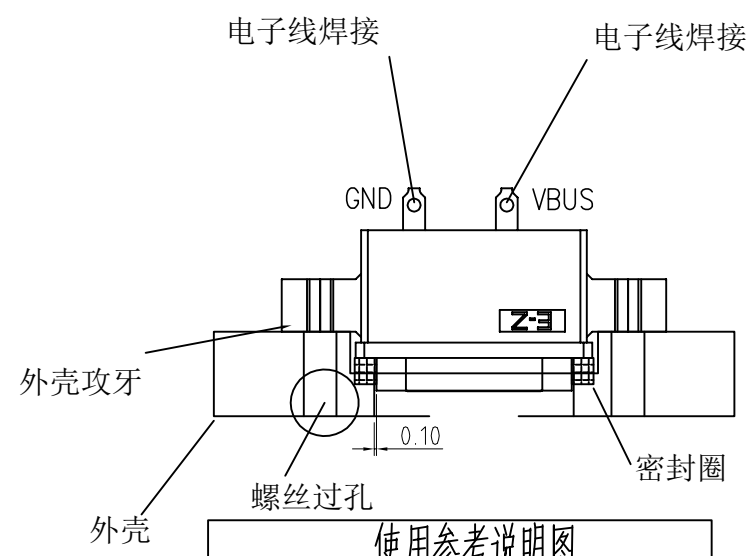
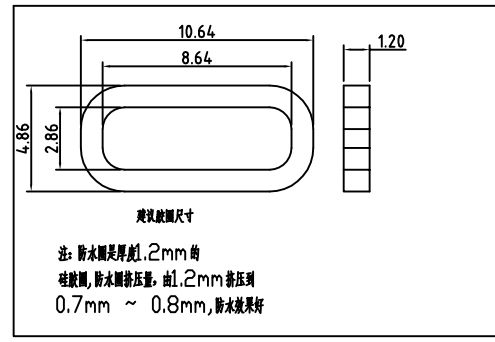
A1	A2	A3	A4	A5	A6	A7	A8	A9	A10	A11	A12
			VBUS						VBUS		GND
GND											
B12	B11	B10	B9	B8	B7	B6	B5	B4	B3	B2	B1



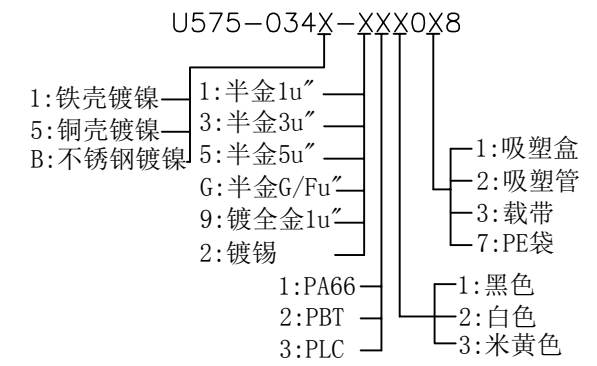
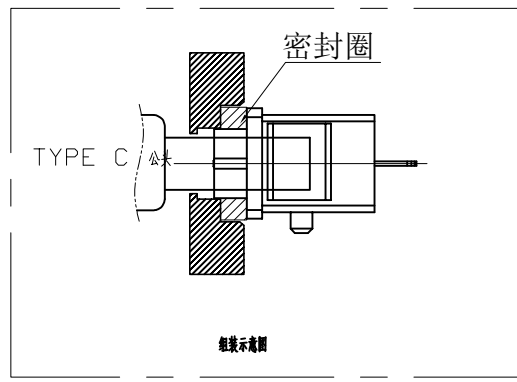
NOTES:

SPECIFICATION:

- CURRENT RATING: 3.0A MAX
- DIELECTRIC WITHSTAND VOLTAGE: 100VAC
- TEMPERATURE RANGE: -30 °C ~ 85 °C
- CONTACT RESISTANCE: 40 MILLIONHM MAX
- INSULATION RESISTANCE: 100 MEGOHMS MIN.
- INSERTION FORCE : 5N~20N
- UNMATING FORCE: 8N~20N
- DURABILITY:5000 CYCLES



使用参考说明图  
无需PCB板, 可直接焊线  
螺丝由外往内锁 达到防水效果



TOLERANCE UNLESS OTHERWISE SPECIFIED		<b>FLW 深圳市华联威电子科技有限公司</b>			
.XXX ±0.10 .XX ±0.20 .X ±0.30		HUA LIAN WEI TECHNOLOGY ELECTRONICS CO;LTD.			
APPROVED		PART NAME:	TYPE C 2P 焊线带螺母有柱1.0		
CHECKED		PART No:	U575-034B-G61078	C	
DRAWN	yangguifeng	PROJECTION:	UNIT:	SCALE	SHEET
DATE	2021.12.01		mm	1:1	1 OF 1