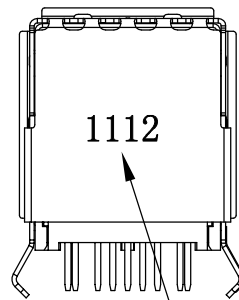
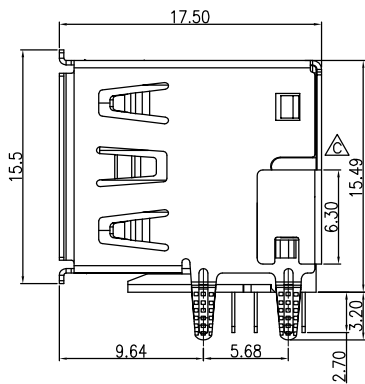
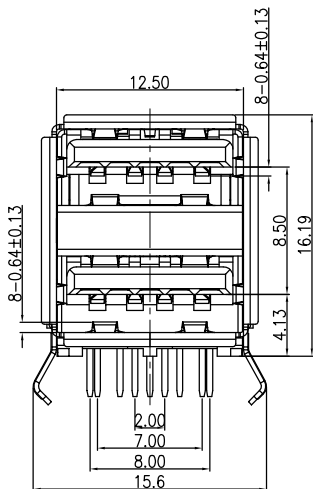
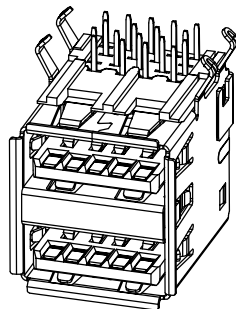
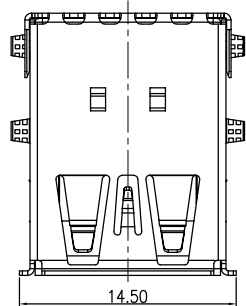


REV.	ECN.NO.	APPD.
B	/	YS
C	/	WZ
A2	/	LJF



DATE

1112

表示12月
表示2011年

Remark:

1.MATERIAL:

- 1.1 Housing:thermoplastic plastics.
- 1.2 terminals:Copper Alloy
- 1.3 Front Shell:Copper Alloy/SPCC.
Middle Shell:SPCC

2.characteristics:

- 2.1 Rating Voltage : 30V AC.
- 2.2 Rating Current:PIN1&PIN4(Vbus&Corresponding ground PIN)
1.8A MAX Other PINS 0.25A min.
- 2.3 Contact Resistance:PIN1&PIN4:30 mΩ MAX. Other PINS: 50 mΩ
- 2.4 Insulation Resistance:100 MΩ MIN.
- 2.5 Withstanding Voltage:AC 100V between adjacent contacts

△ 2.6 MECHANICAL CHARACTERISTIC:

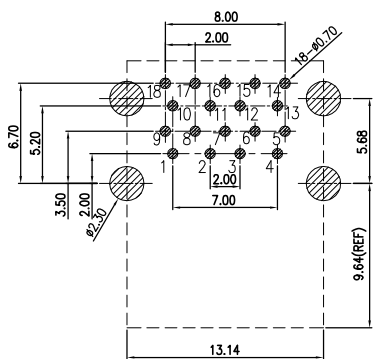
INSERTION FORCE:35N MAX
EXTRACTION FORCE (INITIAL) : 10N MIN
EXTRACTION FORCE (AFTER TEST) :8N MIN

△ 2.7 The lifting weight of the product before durability is 10N Min. 3s

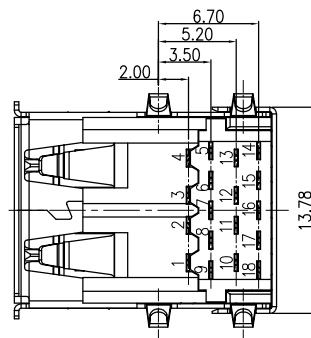
- 2.8 Life test:1500Cycles MIN.
- 2.9 Temperature Range: -30℃~+80℃.

U321-092X-XXXXXX

- 1:Iron alloy
- Ni plating
- 5:Copper alloy
- Ni plating
- 1:RoHS UL94V-0
- R:RoHS
- 1:tray
- 2:Tube
- 8:Tape&Reel
- 0:Salt Spray 12H
- 2:Salt Spray 24H
- 1:Black
- 7:Blue 300C
- 8:Blue 300C-1
- C:Blue 300C-2
- E:Blue 300C-3
- 2:PBT
- 6:LCP



PCB LAYOUT REFERENCE



Pin Number	Signal Name	Pin Number	Signal Name
1	VBUS	10	VBUS
2	D-	11	D-
3	D+	12	D+
4	GND	13	GND
5	StA_SSRX-	14	StA_SSRX-
6	StA_SSRX+	15	StA_SSRX+
7	GND_DRAIN	16	GND_DRAIN
8	StA_SSTX-	17	StA_SSTX-
9	StA_SSTX+	18	StA_SSTX+
Shell	Shield		

TOLERANCE UNLESS OTHERWISE SPECIFIED	
.XXX ±0.10	.X' ±3'
.XX ±0.25	.XX' ±2'
.X ±0.35	
APPROVED	
CHECKED	
DRAWN	Lijinfeng
DATE	2021.04.22

FLW 深圳市华联威电子科技有限公司 HUA LIAN WEI TECHNOLOGY ELECTRONICS CO;LTD.					
PART NAME:		USB 3.0 AF双层90度短体(带周期)			
PART No:		U321-0921-XXXXXX		C	
PROJECTION:	UNIT:	SCALE:	SHEET:	REV.	
	mm	1:1	1 OF 1	A2	