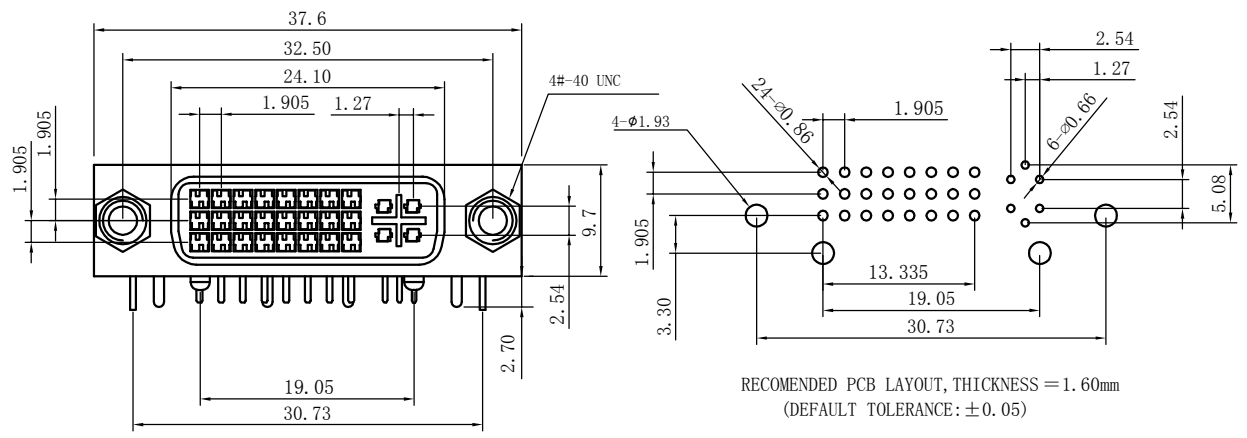


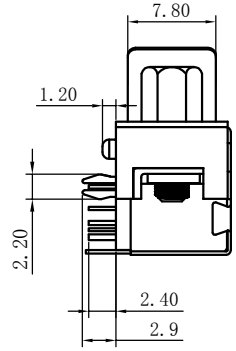
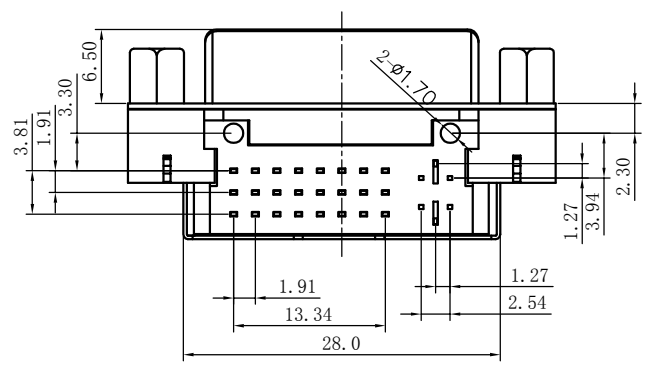
REV.	ECN. NO.	APPD.
A	EXXXXXXXXXX	yangguifeng



RECOMENDED PCB LAYOUT, THICKNESS = 1.60mm
(DEFAULT TOLERANCE: ±0.05)

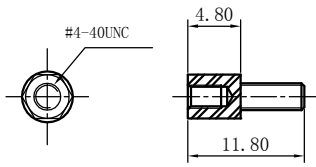
1. SPECIFICATION

- 2.1 Current Rate: 5 Amps
- 2.2 Insulator Resistance: 1000M Min. Ω
- 2.3 Dielectric Strength: 500V AC PER MIN
- 2.4 Operation Temperature: -55C~+105C
- 2.5 Contact Resistance: 30m Max Ω



DS413-4016-G22017

- 1: 吸塑盒
- 2: 白色
- G: 半金G/Fu
- 2: PBT



SCREW

TOLERANCE UNLESS OTHERWISE SPECIFIED		FLW 深圳市华联威电子科技有限公司				
.XXX ±0.10		HUA LIAN WEI TECHNOLOGY ELECTRONICS CO.;LTD.				
.XX ±0.20		.X° ±3°				
.X ±0.30		.XX° ±2°				
APPROVED		PART NAME:	DVI24+5卧式带螺丝母座			
CHECKED		PART No:	DS413-4016-G22017			C
DRAWN	yangguifeng	PROJECTION:	UNIT:	SCALE	SHEET	REV.
DATE	2021.12.01		mm	1:1	1 OF 1	A