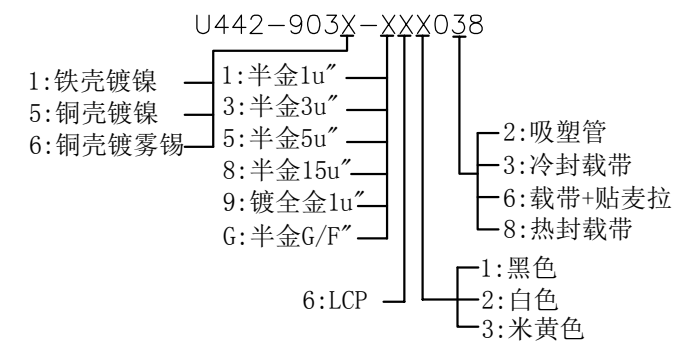
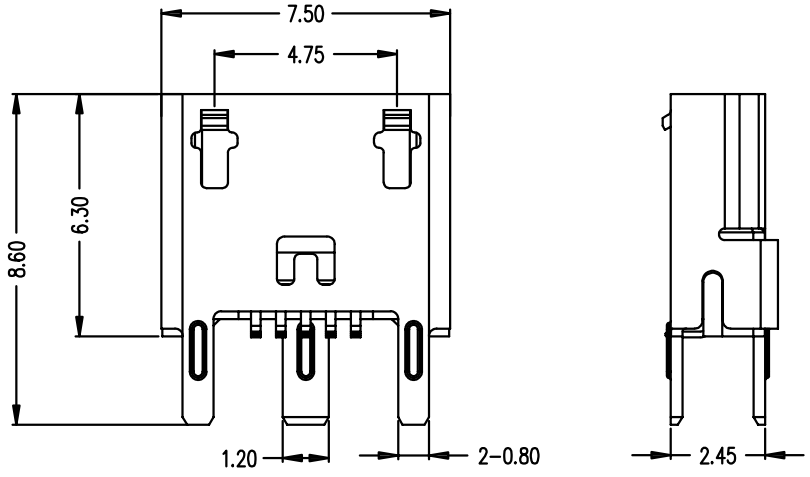
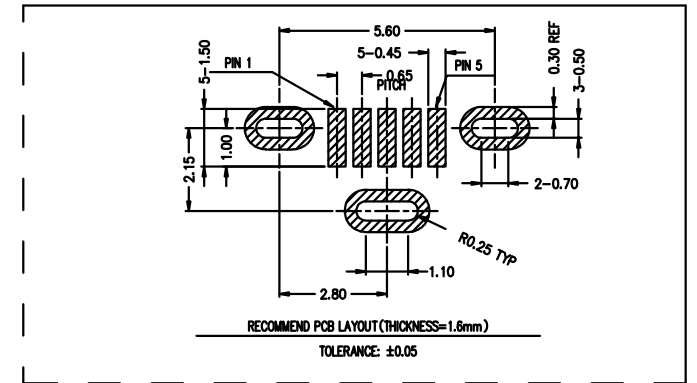
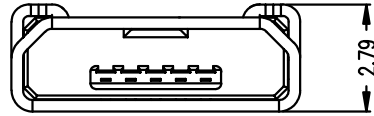


REV.	ECN.NO.	APPD.
A	/	LXQ



Notes:  
 Specifications:  
 1. Current rating: 1 A Max.  
 2. Dielectric withstanding: voltage: 100V(AC) for 1 min.  
 3. Contact resistance: 50mΩ MAX.;  
 4. Insulation resistance: 100MΩ MIN.;  
 5. Total mating force: 3.57 Kgf Max.  
 6. Total unmating force: 1.0 Kgf Min.0.81~2.05 Kgf Min.after  
 10000 insertion/extraction cycles  
 7. Temperature range: -30°C~+80°C

TOLERANCE UNLESS OTHERWISE SPECIFIED		<b>FLW</b> 深圳市华联威电子科技有限公司				
.XXX ±0.10		HUA LIAN WEI TECHNOLOGY ELECTRONICS CO.;LTD.				
.XX ±0.20	.X ±0.30	.X' ±3'	.XX' ±2'			
APPROVED		PART NAME:	MICRO USB 5P/F 立式贴片加高无卷边			
CHECKED		PART No:	U442-903X-X61038		C	
DRAWN	Shen	PROJECTION:	UNIT:	SCALE:	SHEET:	REV.
DATE	2021.09.01		mm	5:1	1 OF 1	A