

9

8

7

6

5

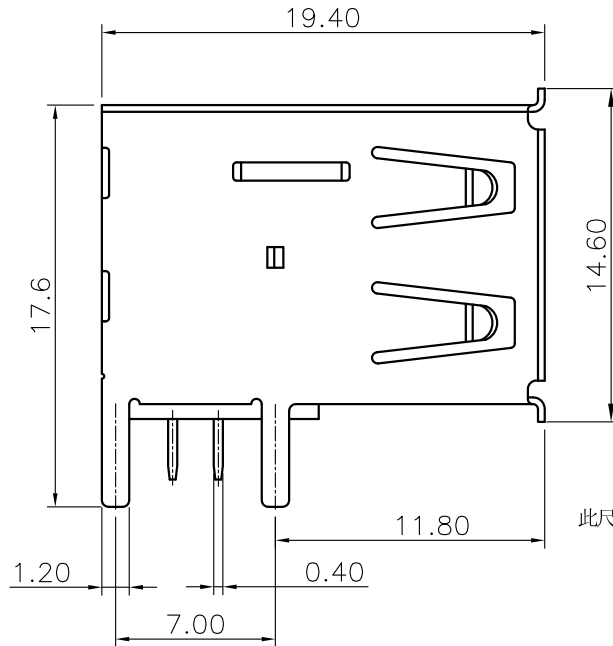
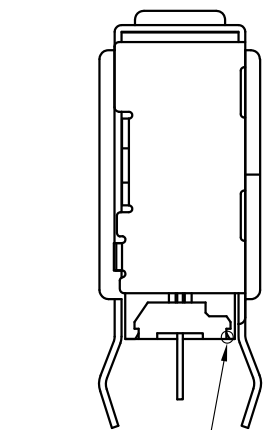
4

3

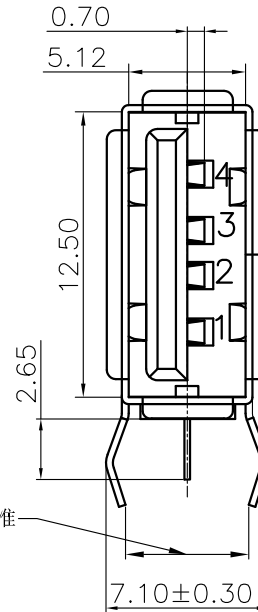
2

1

REV.	ECN.NO.	APPD.
A	/	pcy
B	/	lyl



此尺寸以能过板为准



C0.15*0.25

NOTES:

1.MATERIAL:

1.1 Housing:thermoplastic plastics

1.2 terminals:Copper Alloy

Gold plated in contact area:

Tin plated in termination

Nickel Plated overall

1.3 Shell:Steel&Copper Alloy

Nickel Plated overall

2.ELECTRICAL CHARACTERISTICS:

2.1 Rating Current :1.5 Ampere

2.2 Rating Voltage :30 V Max

2.3 Contact Resistance:30 Milli ohms

2.4 Insulation Resistance:1000 Mega ohms Min.

3.MECHANICAL CHARACTERISTICS:

3.1 Connector Mating force: 35N MAX(3.57Kgf)

3.2 Connector Unmating force:10N min(1.02Kgf)

3.3 Durability:1500Cycles.

4.ENVIRONMENT CHARACTERISTICS:

4.1 Operating temperature:-0°C to +50°C

4.2 Storage temperature:-20°C to +60°C

U226-2121-G2241R

1:Iron alloy
Ni plating

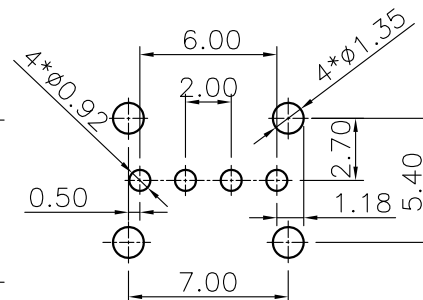
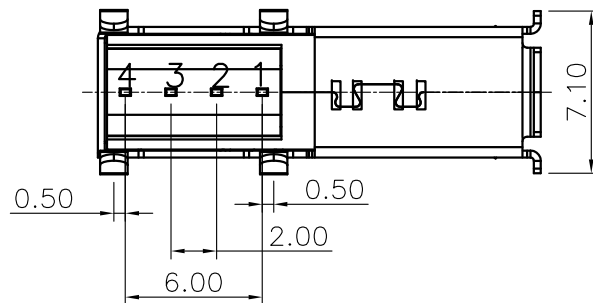
1:tray

4:无HLW LOGO

2:White

G:Au GF

2:PBT



PCB.LAYOUT

TOLERANCE UNLESS OTHERWISE SPECIFIED		HLW 深圳市华联威电子科技有限公司 HUA LIAN WEI TECHNOLOGY ELECTRONICS CO;LTD.			
.XXX ±0.10	.X' ±3'	APPROVED	PART NAME:		USB AF 侧插长体 有塞C款
.XX ±0.20	.XX' ±2'	CHECKED	PART No:		U226-2121-G2241R C
.X ±0.30		DRAWED	pengchaoyong	PROJECTION:	UNIT: SCALE SHEET REV.
		DATE	2015.01.20		mm 1:1 10F1 B

F

E

D

C

B

A

F

E

D

C

B

A

9

8

7

6

5

4

3

2

1