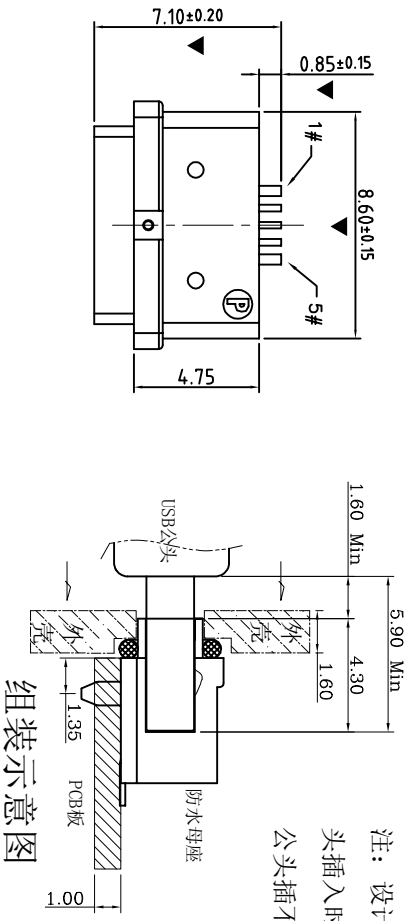


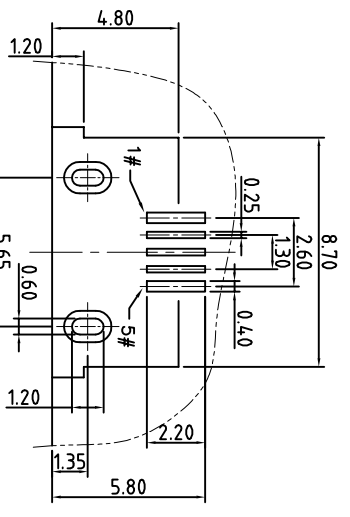
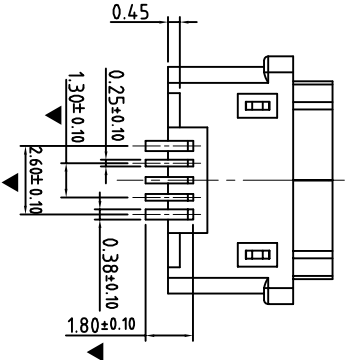
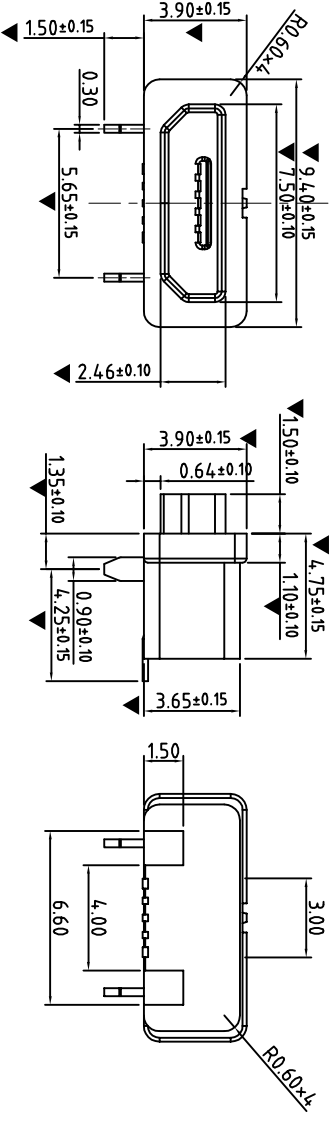
REV.	ECN. NO.	APPD.
A	EXXXXXXXXXX	yongguifeng



注：设计时，请注意公头插入时的距离，防止公头插不到位。

组装示意图

- SPECIFICATIONS:
1. ELECTRICAL CHARACTERISTICS:
- 1.1. RATING: 3A (PIN1&5), 0.5A (PIN2&3&4);
 - 1.2. CONTACT RESISTANCE: 30 mΩ MAX. (INITIAL);
 - 1.3. DIELECTRIC WITHSTANDING: 500V AC MIN.;
 - 1.4. INSULATION RESISTANCE: 1000MΩ MIN.;
 2. DURABILITY: 5,000 CYCLES MIN.;
 3. INSERTION FORCE: 3.5Kgf (35N) Max.;
 4. EXTRACTION FORCE: 0.8Kgf (8N) Min.;
 5. WATER PROOFNESS: THIS PRODUCT IS BASED ON IPX6
 6. PLUG INTERFACE DIMENSIONS CONFORM TO USB2.0 SPEC.
 7. PACKAGING: TAPE & REEL.

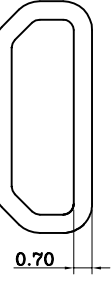


P.C.B LAYOUT

- U442-0010-XXXXXX8
- 1: 半金1u"
 - 3: 半金3u"
 - 5: 半金5u"
 - G: 半金G/Fu"
 - 9: 镀全金1u"
 - 4: 镀全亮锡
 - 1: PA66
 - 2: PBT
 - 10: PA10T
 - 1: 吸塑盒
 - 2: 吸塑管
 - 3: 载带
 - 6: 载带+贴麦拉
 - 1: 黑色
 - 2: 白色
 - 3: 米黄色

ITEM	PART NAME	Q'TY	FINISH
3	Shell	1	SUS304R-1/2H Ni Pating Γ =0.30mm
2	Contact	5	BRASS C2890R-H Au/Ni Pating Γ =0.20mm
1	Housing	1	PA10T&LCP (G.F30%)

Contact Number	Signal Name	Remarks
1#	VBUS	Power
2#	D-	Date-
3#	D+	Date+
4#	ID	Reserve or Gound
5#	GND	Gound



注：防水圈是圆形截面，直径为0.7mm的硅胶圈
防水圈挤压量，由0.7mm挤压到0.3mm ~ 0.4mm，防水效果好

TOLERANCE UNLESS OTHERWISE SPECIFIED	
XXX ±0.10	X ±3
XX ±0.20	XX ±2
X ±0.30	XX ±2

HLW 深圳市华联威电子科技有限公司
HUA LIAN WEI TECHNOLOGY ELECTRONICS CO.,LTD.

PART NAME: MICRO 5P 90度SMT全塑防水6级

PART No: U442-0010-G91018

PROJECTION: mm

APPROVED	CHECKED	DRAWN	DATE
		yongguifeng	2021.12.01