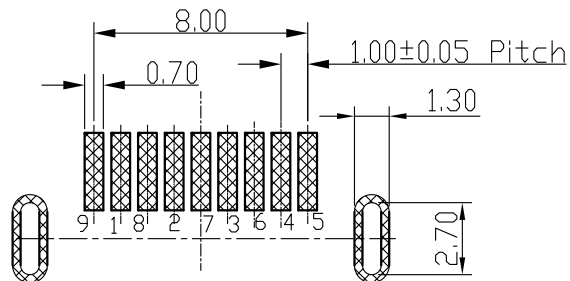
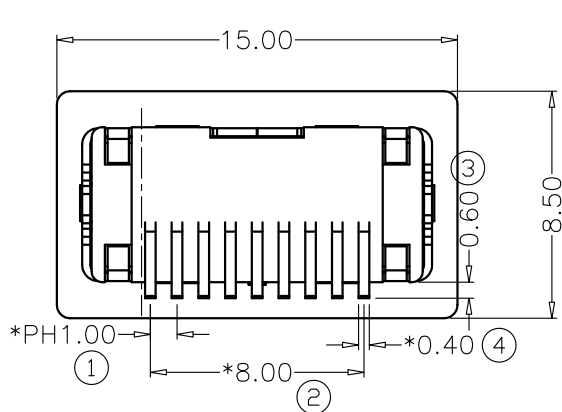
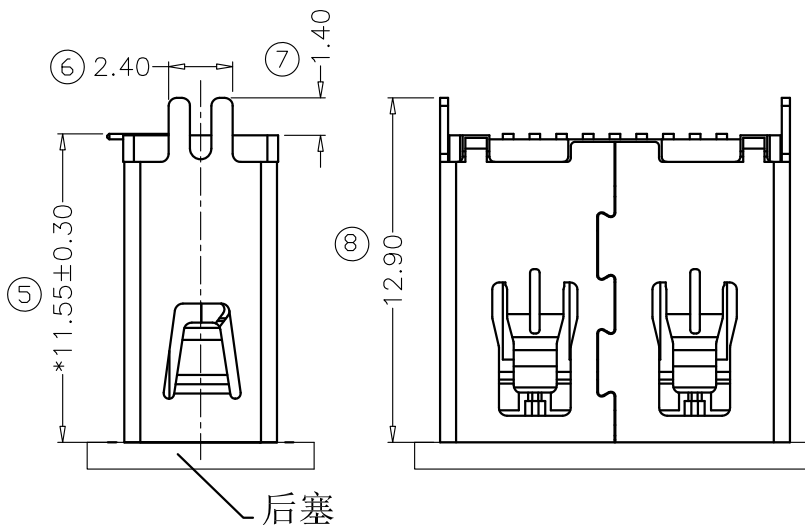
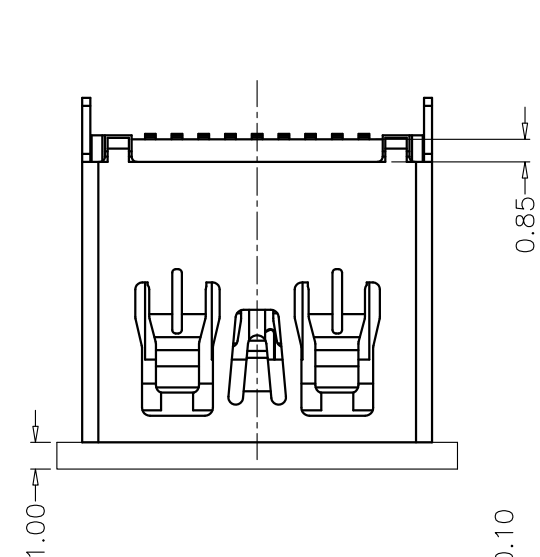


REV.	ECN.NO.	APPD.
A	EXXXXXXXXXX	yangguifeng

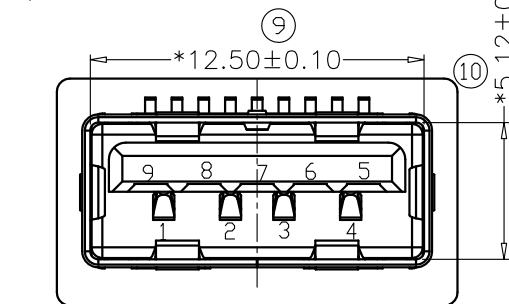


P. C. B LAYOUT T=1.20mm

Remark:
 1.MATERIAL:
 1.1 Housing:thermoplastic plastics.
 1.2 terminals:Copper Alloy
 1.3 Front Shell:Copper Alloy/SPCC.
 Middle Shell:SPCC
 2.characteristics:
 2.1 Rating Voltage : 30V AC.
 2.2 Rating Current:PIN1&PIN4(Vbus&Correponding ground PIN)
 1.8A MAX Other PINS 0.25A min.
 2.3 Contact Resistance:PIN1&PIN4:30 mΩ MAX. Other PINS: 50 mΩ
 2.4 Insulation Resistance:100 MΩ MIN.
 2.5 Withstanding Voltage:AC 100V between adjacent contacts
 2.6 Mating force: 3.57Kgf MAX(35N MAX)
 2.7 Extraction force:1Kgf Min(9.8N Min)
 2.8 Life test:1500Cycles MIN.
 2.9 Temperature Range: -30℃~+80℃.



U324-0135-G61038
 5:铜壳镀镍
 G:半金G/Fu
 6:LCP
 3:载带
 1:黑色



TOLERANCE UNLESS OTHERWISE SPECIFIED		FLW 深圳市华联威电子科技有限公司 HUA LIAN WEI TECHNOLOGY ELECTRONICS CO;LTD.			
.XXX ±0.10	.XX ±0.20	.X ±0.30	.X* ±3*	.XX* ±2*	
APPROVED		PART NAME:	USB 3.0 AF 立贴H11.5无卷边		
CHECKED		PART No:	U324-0135-G61038	C	
DRAWN	yangguifeng	PROJECTION:	UNIT:	SCALE	SHEET
DATE	2021.12.01	mm	1:1	1 OF 1	REV. A