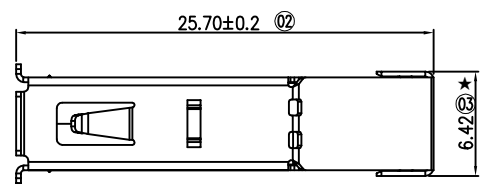
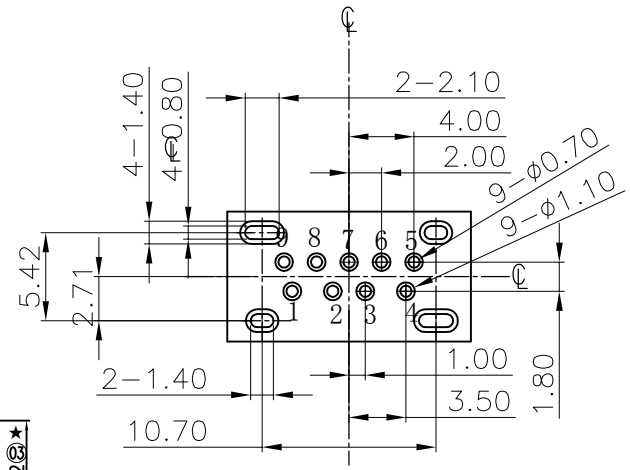
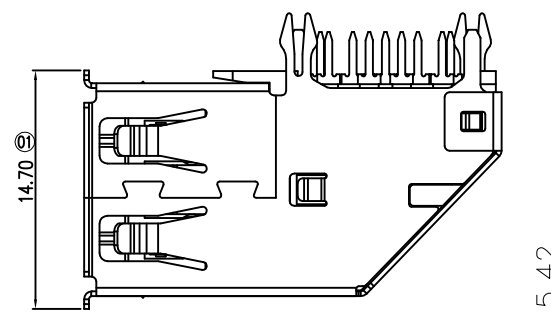
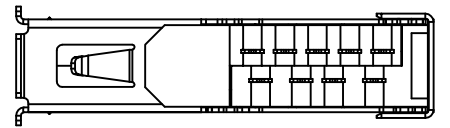
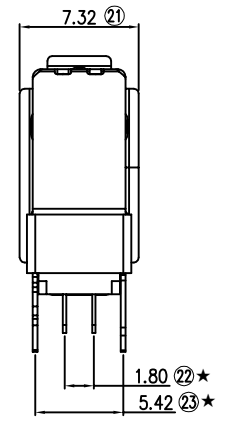
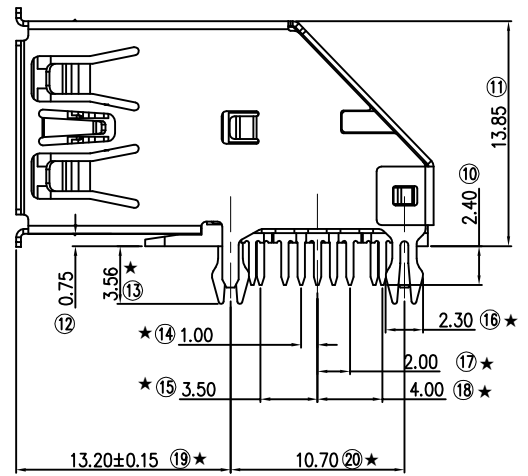
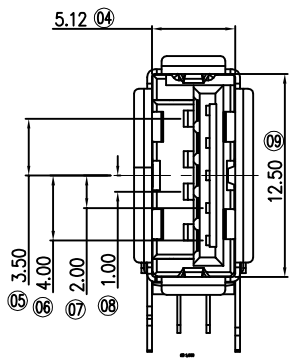


REV.	ECN.NO.	APPD.
A	XXXXXXXXXX	Qinyuhua



PCB LAYOUT (TOP VIEW)



**SPECIFICATIONS:**  
 Contact current Rating:  
 1.8 Amperes for pin1&pin4.  
 0.25 Amperes other contacts  
 Dielectric Withstanding Voltage:AC 100V(RMS)  
 Insulation resistance:100Megohms Minimum.  
 Contact Resistance:  
 30mΩ Max for pin1&pin4  
 50mΩMax for other contacts  
 Mechanical Characteristics:  
 Mating Force:35 Newtons.Maximum  
 Unmating Force:10 Newtons.Minimum.  
 8N Min After Durability

**MATERIAL:**  
 Housing: PBT Blue UL94V-0  
 Contact: copper alloy( T=0.20mm)  
 Shell: SUS

**PLATING:**  
 Contact: Gold Falsh Plated on contact area  
 Tin Plated on solder area  
 Nickel underplating over all  
 Shell: Nickel Plated  
 operating Temperature:-55\*to+85\*

U326-053X-XXXX11

- B: 不锈钢镀镍
- 5: 铜壳镀镍
- 1: 吸塑盒
- 0: 常规
- 2: 特殊包装
- 1: 半金1u"
- 3: 半金3u"
- 5: 半金5u"
- 7: 蓝色300C
- 8: 半金15u"
- A: 半金30u"
- G: Gold Flash
- 1: PA66
- 2: PBT
- 6: LCP

TOLERANCE UNLESS OTHERWISE SPECIFIED	
.XXX ±0.10	.X' ±3'
.XX ±0.20	.XX' ±2'
.X ±0.30	

**FLW 深圳市华联威电子科技有限公司**  
 HUA LIAN WEI TECHNOLOGY ELECTRONICS CO;LTD.

Pin Number	Signal Name	Pin Number	Signal Name
1	VBUS	5	SSRX-
2	D-	6	SSRX+
3	D+	7	GND
4	GND	8	SSTX-
Shell	Shield	9	SSTX+

APPROVED		PART NAME:	USB 3.0 AF 侧插90度			
CHECKED		PART No:	U326-053B-X27011		C	
DRAWN	Qinyuhua	PROJECTION:	UNIT:	SCALE:	SHEET:	REV.
DATE	2021.09.10		mm	1:1	10F1	A