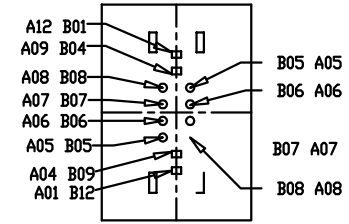
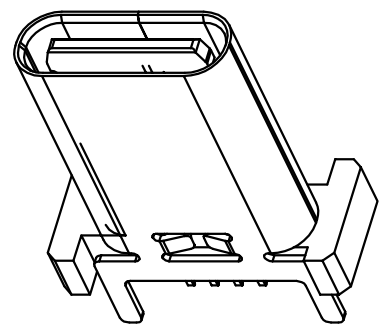
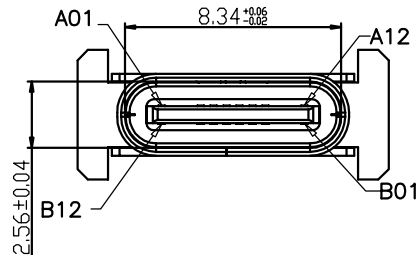
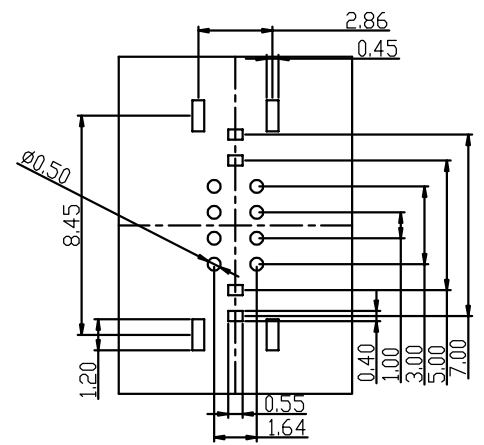
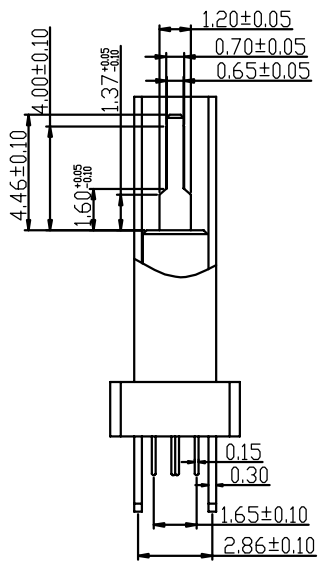
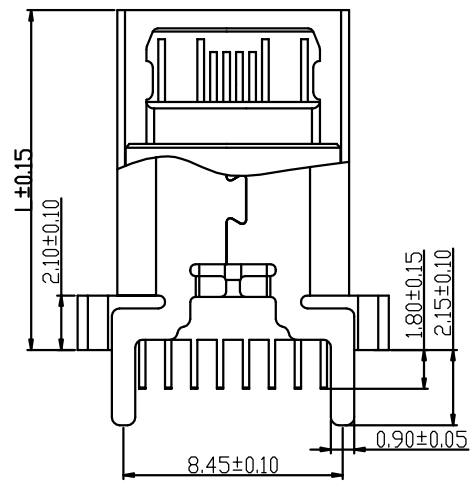


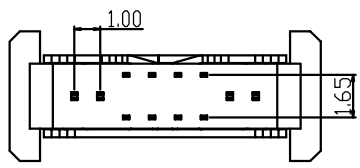
REV.	ECN.NO.	APPD.
A	EXXXXXXXXXX	yangguifeng



NOTES:  
 1.MATERIAL:  
 1.1 Housing:thermoplastic plastics  
 1.2 terminals:Copper Alloy  
 Gold plated in contact area:  
 Tin plated in termination  
 Nickel Plated overall  
 1.3 Shell:Steel&Copper Alloy  
 Nickel/Au Plated overall  
 2.characteristics:  
 2.1 Rating Voltage : 30V AC.  
 2.2 Rating Current:  
 5A for Vbus PIN;1.25A for Vconn PIN  
 2.3 Contact Resistance:40 mΩ MAX.  
 2.4 Insulation Resistance:100 MΩ MIN.  
 2.5 Withstanding Voltage:AC 100V  
 2.6 Mating force: 5~20N MAX  
 2.7 Extraction force:8~20N Min  
 2.8 Life test:10000Cycles MIN.  
 2.9 Temperature Range: -30°C~+80°C.  
 The product must be compliance ROHS



U573-581B-G61018  
 B: 不锈钢镀镍  
 G: 半金G/Fu"  
 1: 黑色  
 6: LCP



L = MM							
9.30	10.00	10.50	12.40	13.10	13.70	15.00	17.50
A1	GND	B12	GND				
A4	VBUS	B9	VBUS				
A5	CC1	B8	SBU2				
A6	DP1	B7	DN2				
A7	DN1	B6	DP2				
A8	SBU1	B5	CC2				
A9	VBUS	B4	VBUS				
A12	GND	B1	GND				
PIN	SIGNAL NAME	PIN	SIGNAL NAME				

TOLERANCE UNLESS OTHERWISE SPECIFIED		HUA LIAN WEI TECHNOLOGY ELECTRONICS CO;LTD.			
.XXX ±0.10	.XX ±0.20	.X ±0.30	.X' ±3'	.XX' ±2'	
APPROVED		PART NAME:	TYPE C 16P直插13.7母座		
CHECKED		PART No:	U573-581B-G61018	C	
DRAWN		PROJECTION:	UNIT:	SCALE:	SHEET:
DATE	2022.11.21		mm	1:1	1 OF 1
					REV. B

由 Autodesk 教育版产品制作