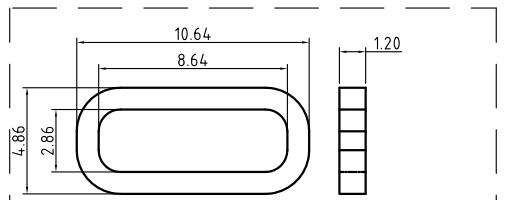
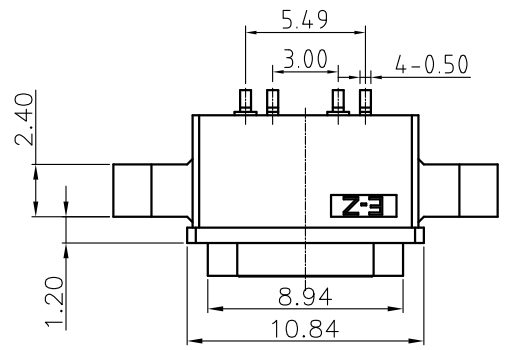
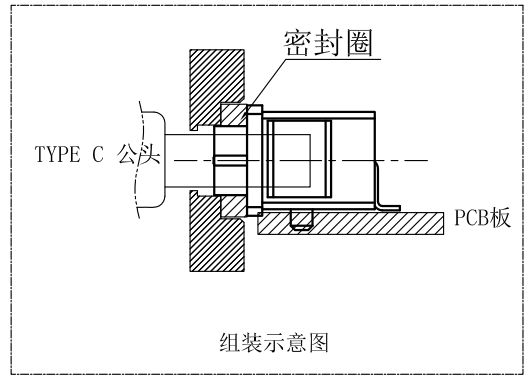


REV.	ECN.NO.	APPD.
A	EXXXXXXXXXX	yangguifeng

F
E
D
C
B
A



建议胶圈尺寸
注: 防水圈是厚度1.2mm的
硅胶圈, 防水圈挤压力, 由1.2mm挤压到
0.7mm ~ 0.8mm, 防水效果好



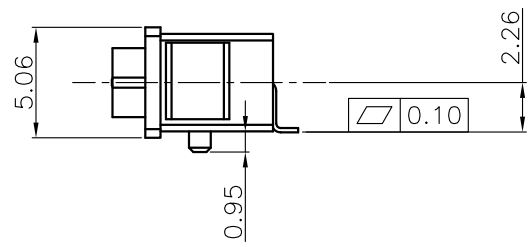
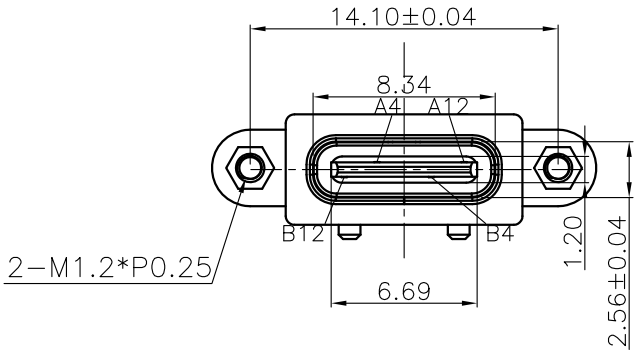
组装示意图



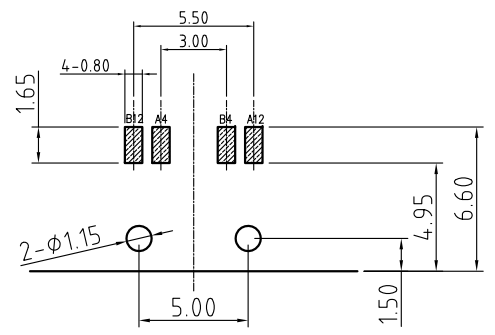
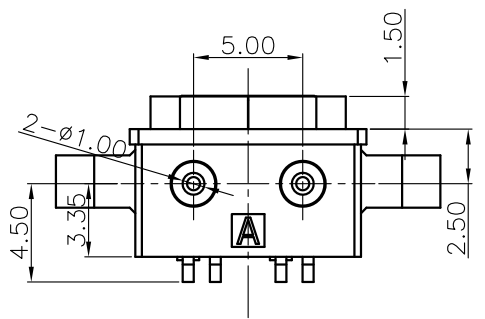
NOTES:

- 1.MATERIAL:
 1.1 Housing:thermoplastic plastics
 1.2 terminals:Copper Alloy
 Gold plated in contact area:
 Tin plated in termination
 Nickel Plated overall
 1.3 Shell:Steel&Copper Alloy
 Nickel/Au Plated overall
 2.characteristics:
 2.1 Rating Voltage : 30V AC.
 2.2 Rating Current:
 5A for Vbus PIN;1.25A for Vconn PIN
 2.3 Contact Resistance:40 mΩ MAX.
 2.4 Insulation Resistance:100 MΩ MIN.
 2.5 Withstanding Voltage:AC 100V
 2.6 Mating force: 5~20N MAX
 2.7 Extraction force:8~20N Min
 2.8 Life test:10000Cycles MIN.
 2.9 Temperature Range: -30℃~+80℃.
 The product must be compliance ROHS

D
C



C
B



U572-A54B-G61038
 B: 不锈钢镀镍
 G: 半金G/Fu
 6:LCP
 3: 载带
 1: 黑色

A

A4	VBUS	B12	GND
A12	GND	B4	VBUS
PIN	SIGNAL NAME	PIN	SIGNAL NAME

RECOMMENDED PCB LAYOUT(TOP VIEW)
 THICKNESS T=1.0mm
 DEFAULT TOLERANCE+/-0.05

TOLERANCE UNLESS OTHERWISE SPECIFIED		FLW 深圳市华联威电子科技有限公司 HUA LIAN WEI TECHNOLOGY ELECTRONICS CO;LTD.							
.XXX ±0.10	.XX ±0.20	.X ±0.30	.X' ±3'	.XX' ±2'	PART NAME: TYPE C 4P SMT带螺母有柱1.0		PART No: U572-A54B-G61038		C
APPROVED				PROJECTION:	UNIT: mm	SCALE: 1:1	SHEET: 1 OF 1	REV.:	A
CHECKED				DATE: 2021.12.01					