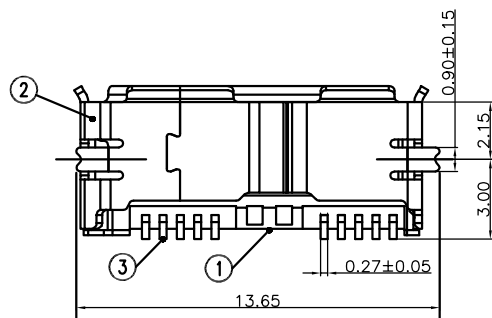
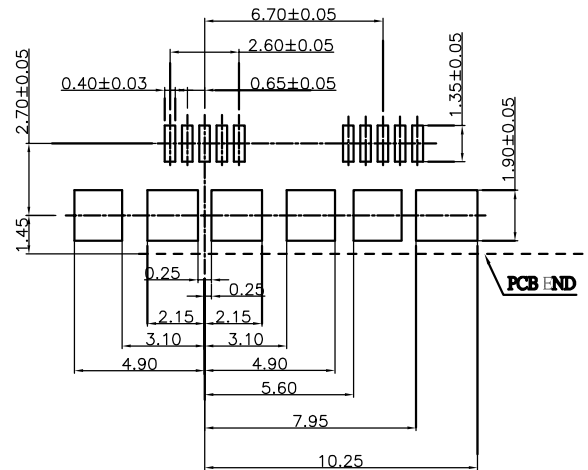
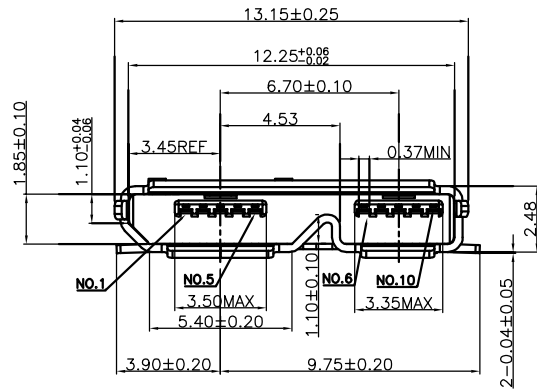
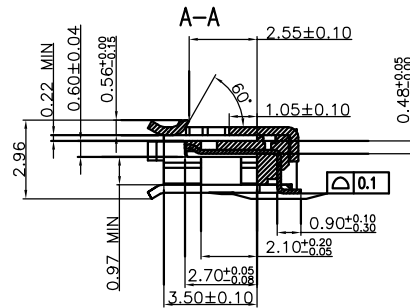
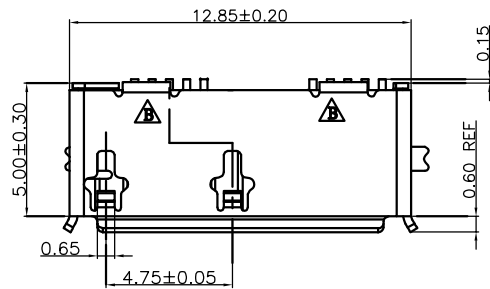


REV.	ECN.NO.	APPD.
A0	/	/



Remark:

1.MATERIAL:

1.1 Housing:thermoplastic plastics.

1.2 terminals:Copper Alloy

1.3 Front Shell:Copper Alloy/SPCC.
Middle Shell:SPCC

2.characteristics:

2.1 Rating Voltage : 30V AC.

2.2 Rating Current:PIN1&PIN4(Vbus&Correponding ground PIN)

1.8A MAX Other PINS 0.25A min.

2.3 Contact Resistance:PIN1&PIN4:30 mΩ MAX. Other PINS: 50 mΩ

2.4 Insulation Resistance:100 MΩ MIN.

2.5 Withstanding Voltage:AC 100V between adjacent contacts

2.6 Mating force: 3.57Kgf MAX(35N MAX)

2.7 Extraction force:1Kgf Min(9.8N Min)

2.8 Life test:1500Cycles MIN.

2.9 Temperature Range: -30℃~+80℃.

U342-0455-G61038

G:半金G/F

3. 载带冷封

6:LCP 1:黑色

TOLERANCE UNLESS OTHERWISE SPECIFIED		FLW 深圳市华联威电子科技有限公司				
.XXX ±0.10 .XX ±0.20 .X ±0.30		.X ±3' .XX ±2'		HUA LIAN WEI TECHNOLOGY ELECTRONICS CO;LTD.		
APPROVED		PART NAME:	MICRO 3.0 B TYPE 10P/F SMT 外壳脚DIP			
CHECKED		PART No:	U342-0455-G61038			C
DRAWN	weihong	PROJECTION:	UNIT:	SCALE	SHEET	REV.
DATE	2021. 10. 6		mm	1:1	10F1	A0