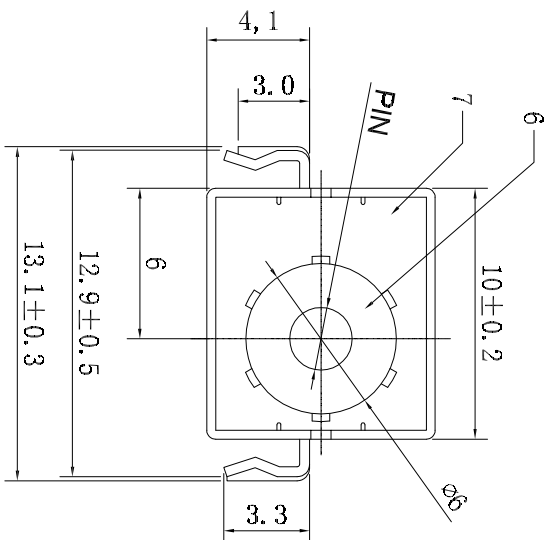
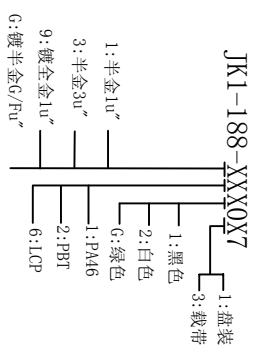
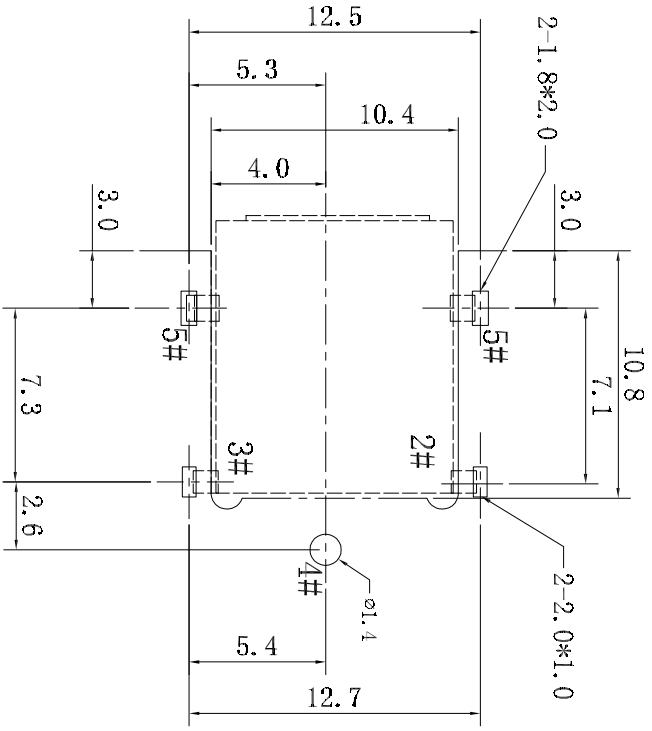
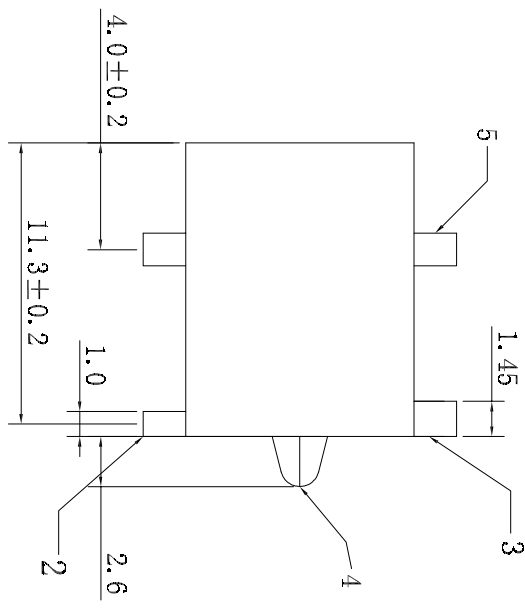
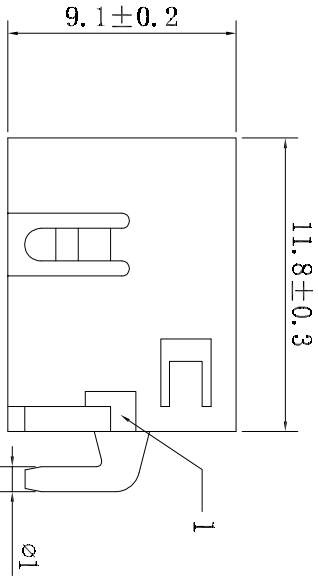
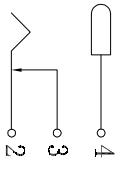


REV.	ECH. NO.	APPD.
A	/	/



PIN	ø1.65	ø2.0	ø2.5
APPD.			

Schematic code



TOLERANCE UNLESS OTHERWISE SPECIFIED	OTHERWISE SPECIFIED
.XXX ±0.10	.X ±3
.XX ±0.20	.XX ±2
.X ±0.30	.XX ±2

HLW 深圳市华联威电子科技有限公司
HUA LIAN WEI TECHNOLOGY ELECTRONICS CO.,LTD.

APPROVED		PART NAME:	DC POWER JACK 沉板母座		
CHECKED		PART NO.:	JK1-188-021017		
DRAWN	yongguifeng	PROJECTION:	UNIT:	SCALE	SHEET
DATE	2021.11.15		mm	1:1	10F1

A

B

C

D

E

F

A

B

C

D

E

F

9

8

7

6

5

4

3

2

1