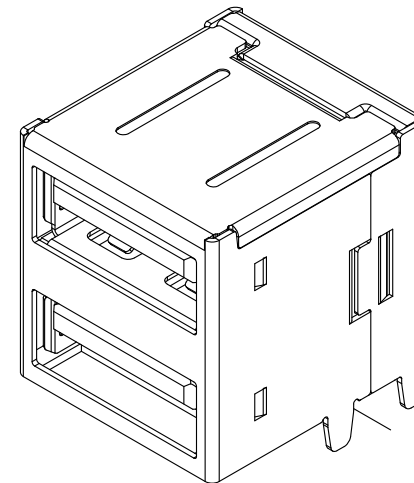
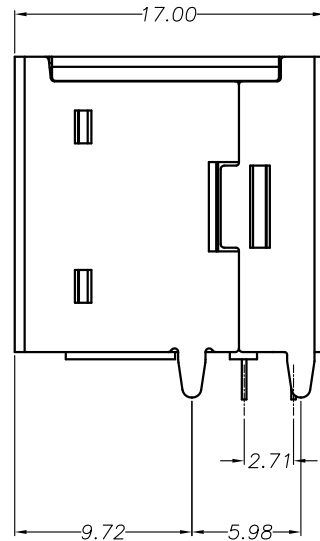
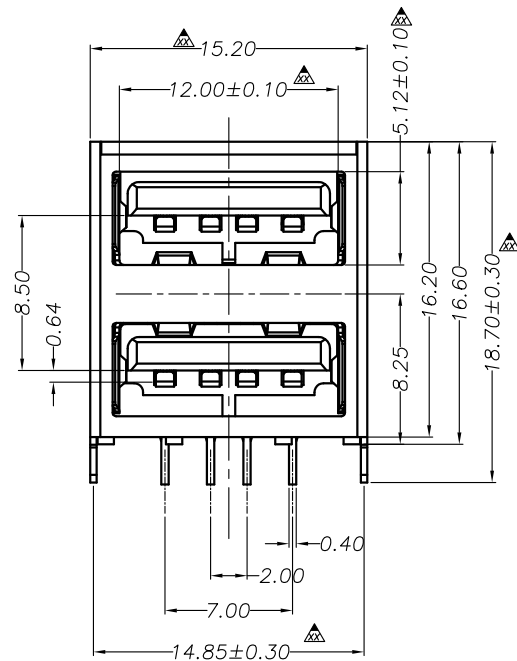
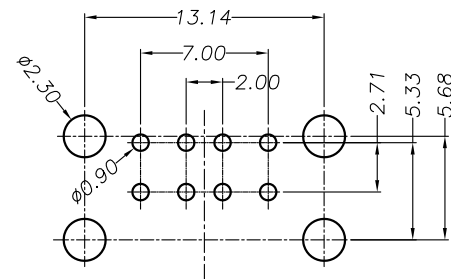


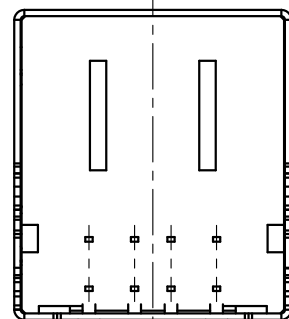
REV.	ECN.NO.	APPD.
A	EXXXXXXXXXX	chenyiting



- NOTES:
- MATERIAL:
    - Housing: thermoplastic plastics
    - terminals: Copper Alloy  
Gold plated in contact area:  
Tin plated in termination  
Nickel Plated overall
    - Shell: Steel & Copper Alloy  
Nickel Plated overall
  - ELECTRICAL CHARACTERISTICS:
    - Rating Current : 1.5 Ampere
    - Rating Voltage : 30 V Max
    - Contact Resistance: 30 Milli ohms
    - Insulation Resistance: 1000 Mega ohms Min.
  - MECHANICAL CHARACTERISTICS:
    - Connector Mating force: 35N MAX(3.57Kgf)
    - Connector Unmating force: 10N min(1.02Kgf)
    - Durability: 1500 Cycles
  - ENVIRONMENT CHARACTERISTICS:
    - Operating temperature: -0°C to +50°C
    - Storage temperature: -20°C to +60°C



RECOMMENDED PCBA LAYOUT  
Top VIEW (TOLERANCE ±0.05)



U221-0121-G61118

1: 铁壳镀镍  
1: 吸塑盒  
1: 黑色  
6: LCP  
G: 半金G/Fu

TOLERANCE UNLESS OTHERWISE SPECIFIED		<b>FLW</b> 深圳市华联威电子科技有限公司					
.XXX ±0.10 .XX ±0.20 .X ±0.30		.X ±0.30 .XX ±0.20 .X ±0.30		HUA LIAN WEI TECHNOLOGY ELECTRONICS CO.;LTD.			
APPROVED		PART NAME:	USB 2.0 AF 90度 双层 全包 直脚				
CHECKED		PART No:	U221-0121-G61118			C	
DRAWN	chenyiting	PROJECTION:	UNIT:	SCALE	SHEET	REV.	
DATE	2022.03.13		mm	1:1	10F1	A	