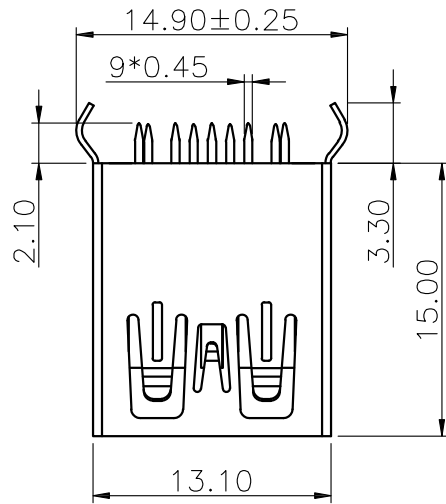
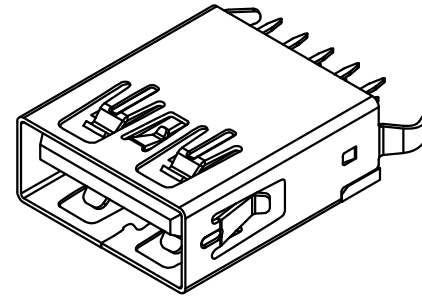


REV.	ECN.NO.	APPD.
A	/	/



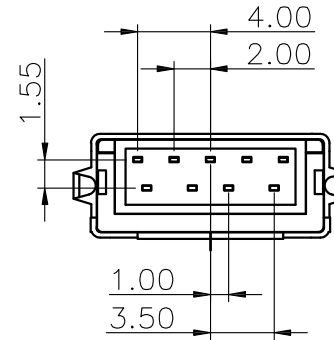
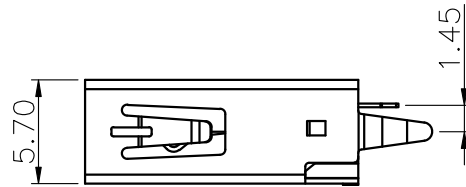
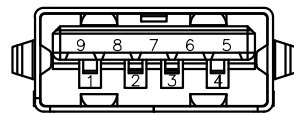
PIN NUMBER	SIGNAL NAME
PIN 1	Vbus
PIN 2	D-
PIN 3	D+
PIN 4	GND
PIN 5	Std_SSRX-
PIN 6	Std_SSRX+
PIN 7	GND_DRAIN
PIN 8	Std_SSTX-
PIN 9	Std_SSTX+
SHELL	GND



3D VIEW

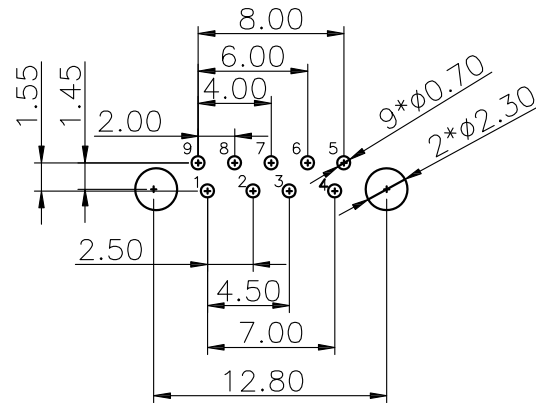
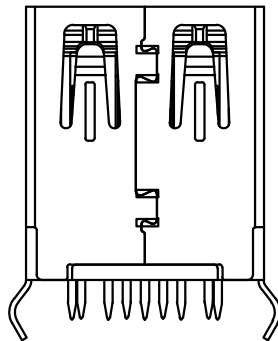
NOTES:

- MATERIAL:
 - Housing: thermoplastic plastics
 - terminals: Copper Alloy
Gold plated in contact area:
Tin plated in termination
Nickel Plated overall
 - Shell: Steel & Copper Alloy
Nickel Plated overall
- ELECTRICAL CHARACTERISTICS:
 - Rating Current :1.5 Ampere
 - Rating Voltage :30 V Max
 - Contact Resistance: 30 Milli ohms
 - Insulation Resistance: 1000 Mega ohms Min.
- MECHANICAL CHARACTERISTICS:
 - Connector Mating force: 35N MAX(3.57Kgf)
 - Connector Unmating force: 10N min(1.02Kgf)
 - Durability: 1500 Cycles.
- ENVIRONMENT CHARACTERISTICS:
 - Operating temperature: -0°C to +50°C
 - Storage temperature: -20°C to +60°C



U223-3921-G27017

- 1: 铁壳镀镍
- 2: PBT
- 7: 蓝色
- 1: 吸塑盒
- G: 半金G/Fu



RECOMMENDER P.C.B.LAYOUT TOP VIEW
(COMPONENT SIDE TOLERANCE ±0.05)

TOLERANCE UNLESS OTHERWISE SPECIFIED		HLW 深圳市华联威电子科技有限公司				
.XXX ±0.10	.XX ±0.20	HUA LIAN WEI TECHNOLOGY ELECTRONICS CO.;LTD.				
.X ±0.30	.XX' ±2'					
APPROVED		PART NAME:	USB 3.0 AF 180度 15.0弯脚无卷边			
CHECKED		PART No:	U223-3921-G27017			C
DRAWN	chenyiting	PROJECTION:	UNIT:	SCALE	SHEET	REV.
DATE	2023.04.21		mm	1:1	10F1	A